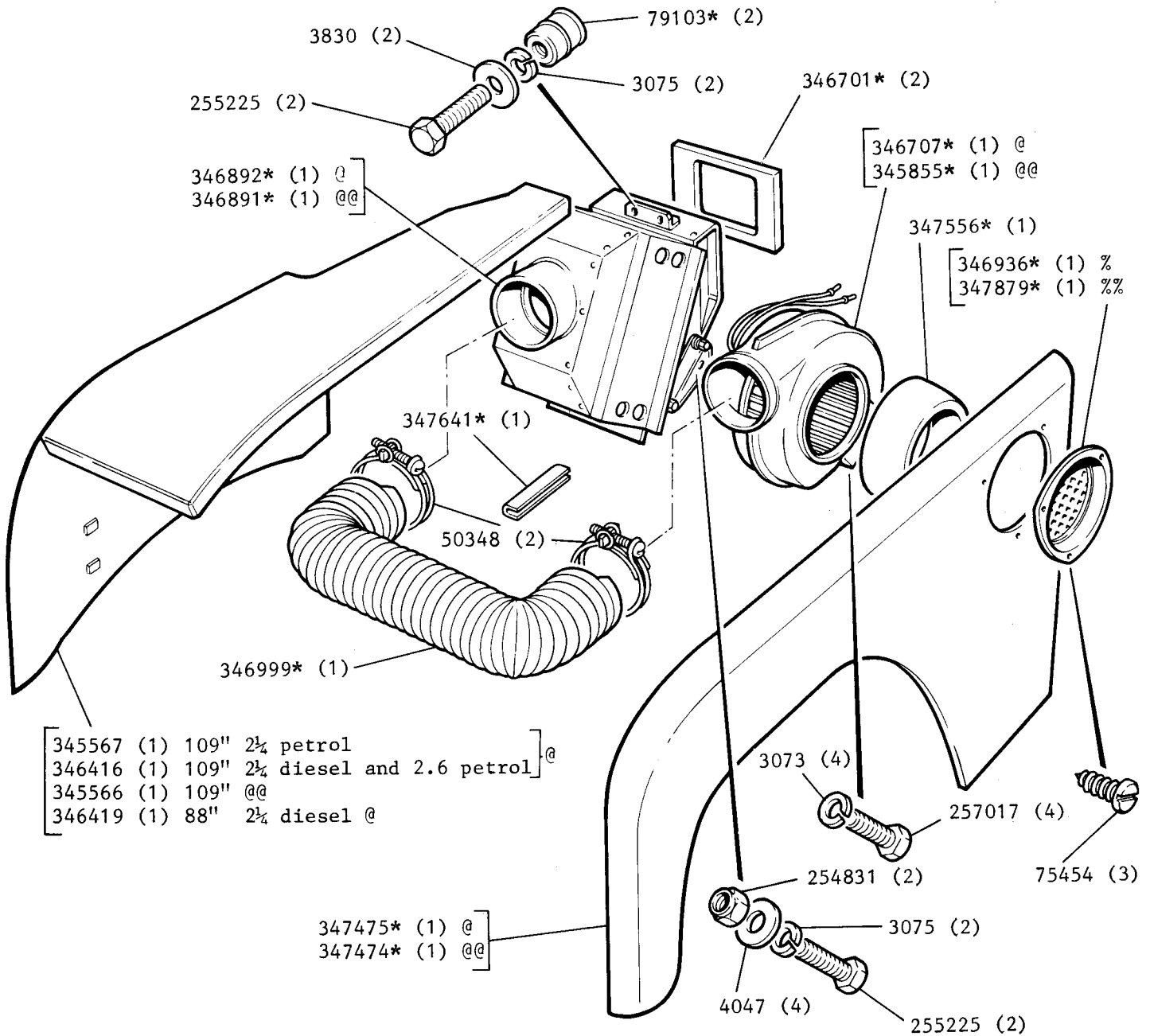


FRESH AIR HEATER BLOWER, BOX AND WING. SERIES III



REMARKS

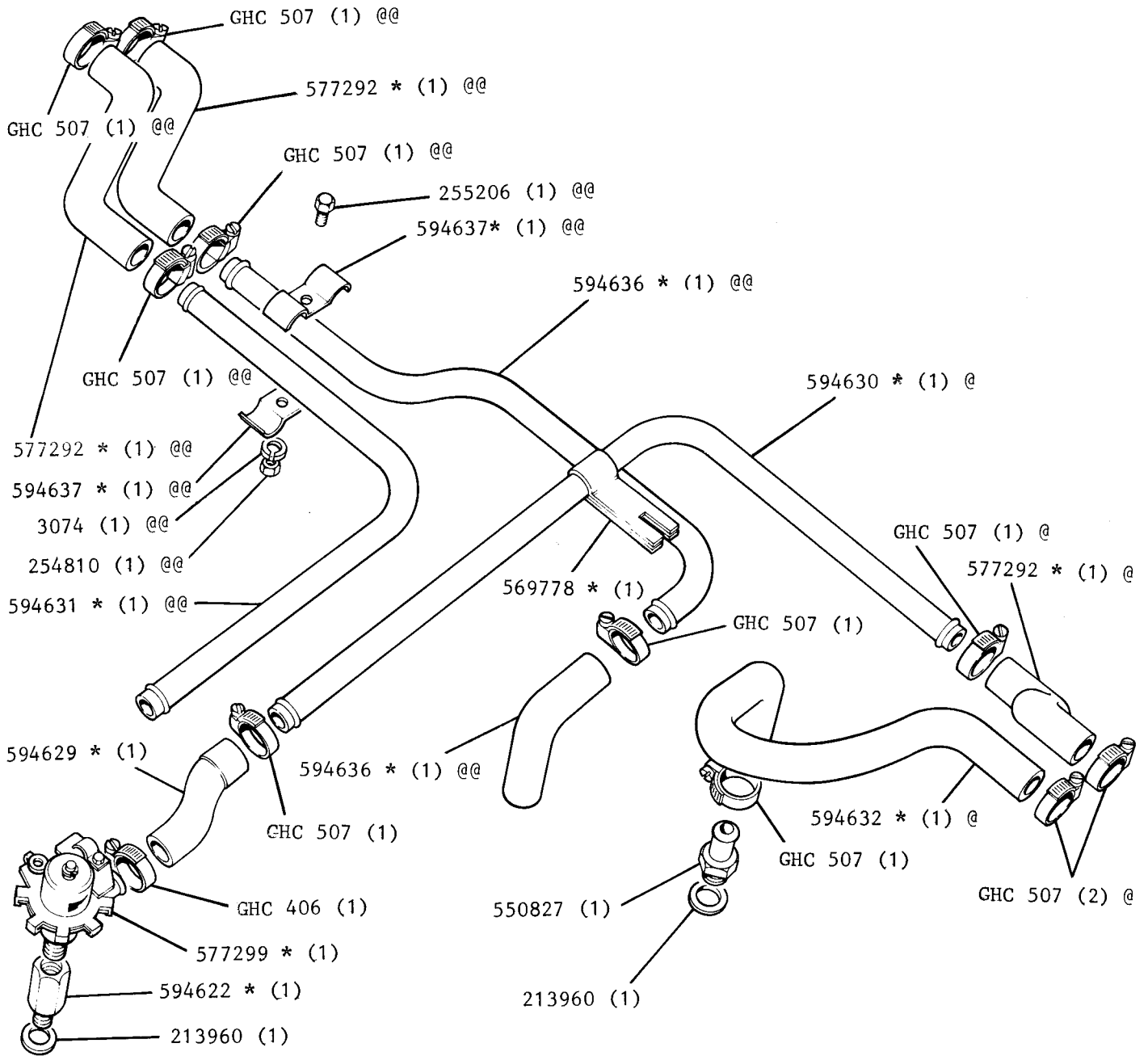
@ R.H.Stg

@@ L.H.Stg

% Except German Market

%% German Market only

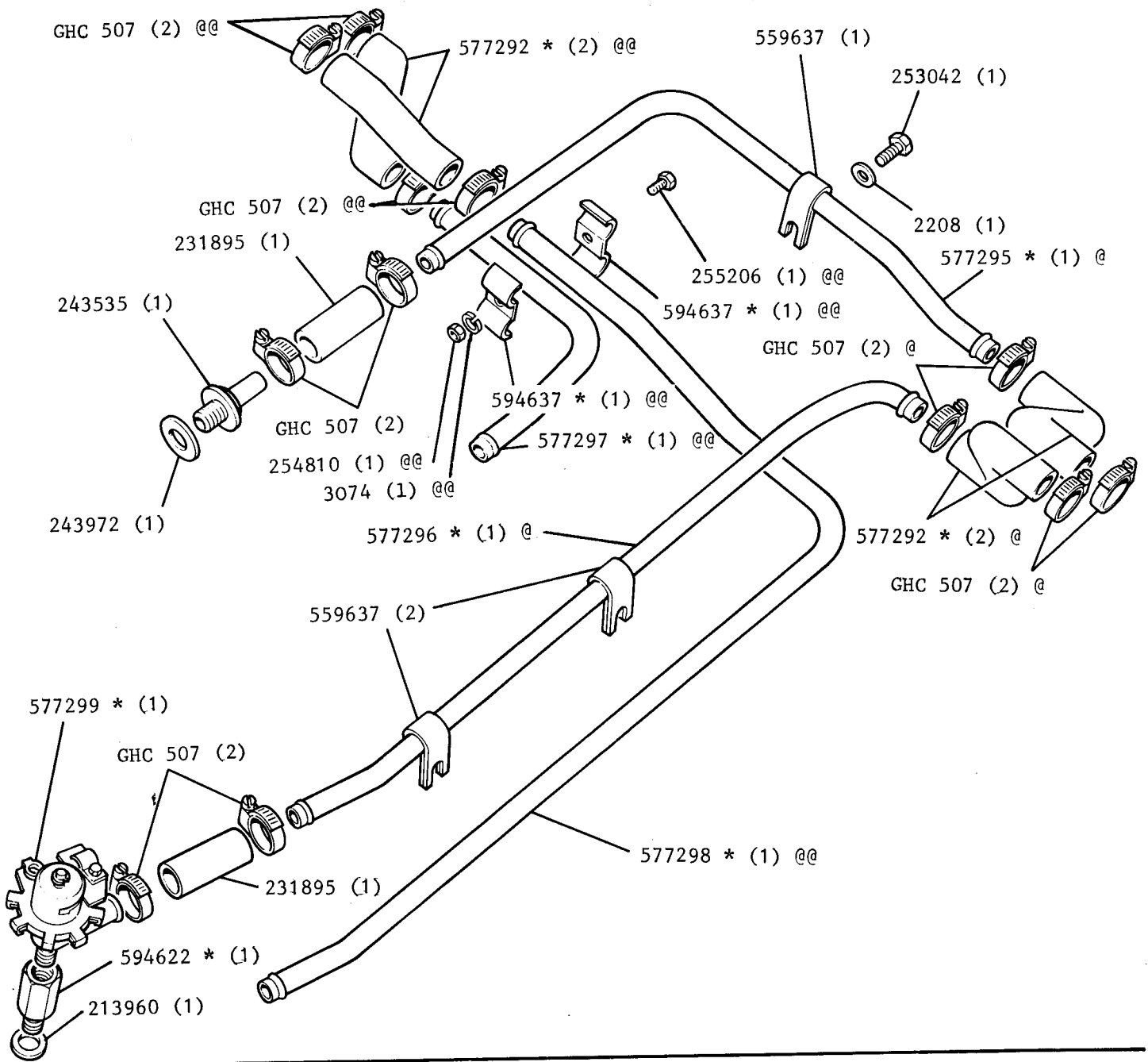
FRESH AIR HEATER PIPES, HOSES AND WATER VALVE SERIES III 2½ MODELS



REMARKS

@ RH Stg  
 @@ LH Stg

FRESH AIR HEATER PIPES, HOSES AND WATER VALVE SERIES III 2.6 MODELS

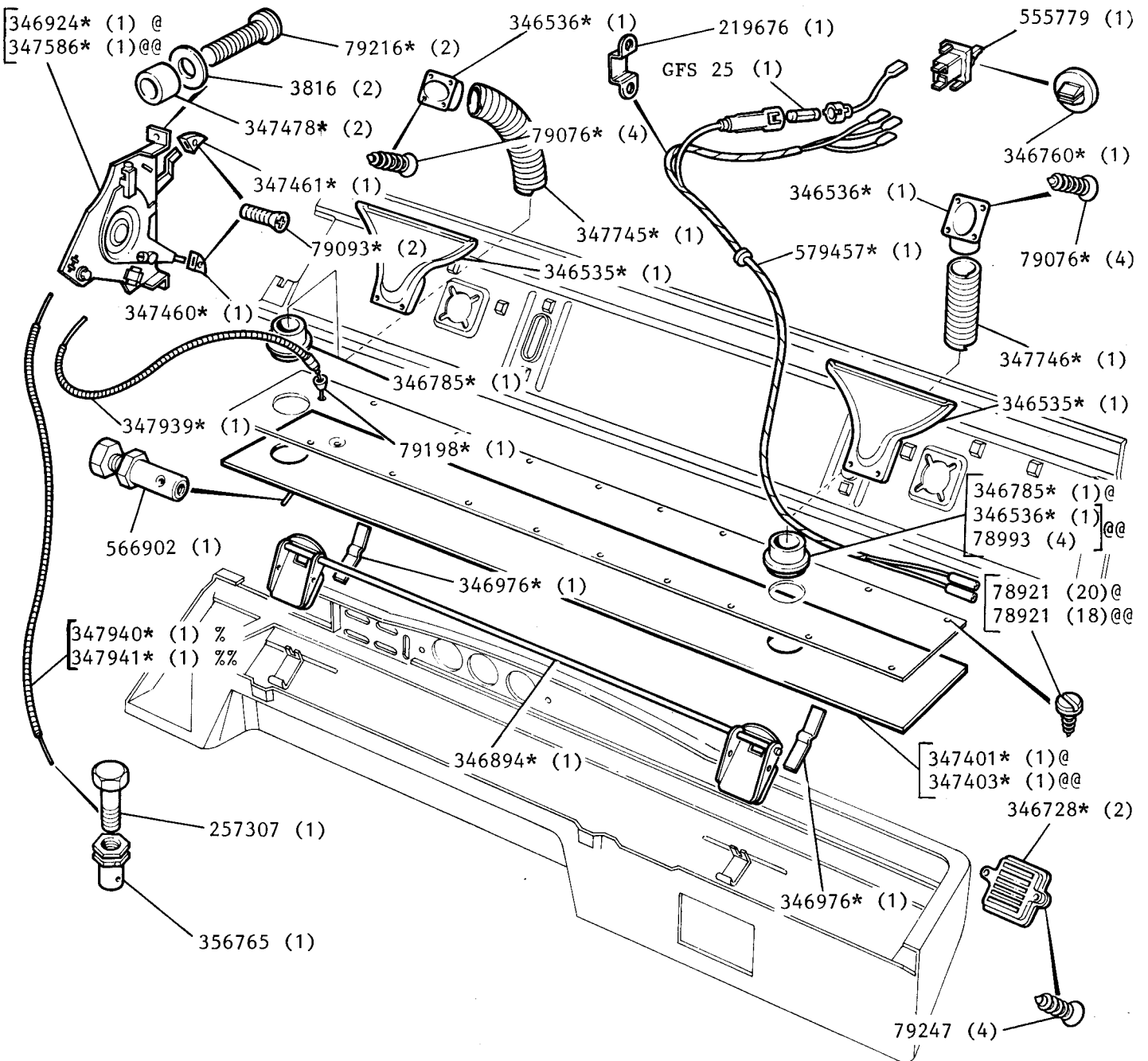


REMARKS

@ RH Stg  
 @@ LH Stg

FRESH AIR HEATER CONTROLS, OUTLET FLAPS AND DEMISTERS SERIES III

25 46



REMARKS

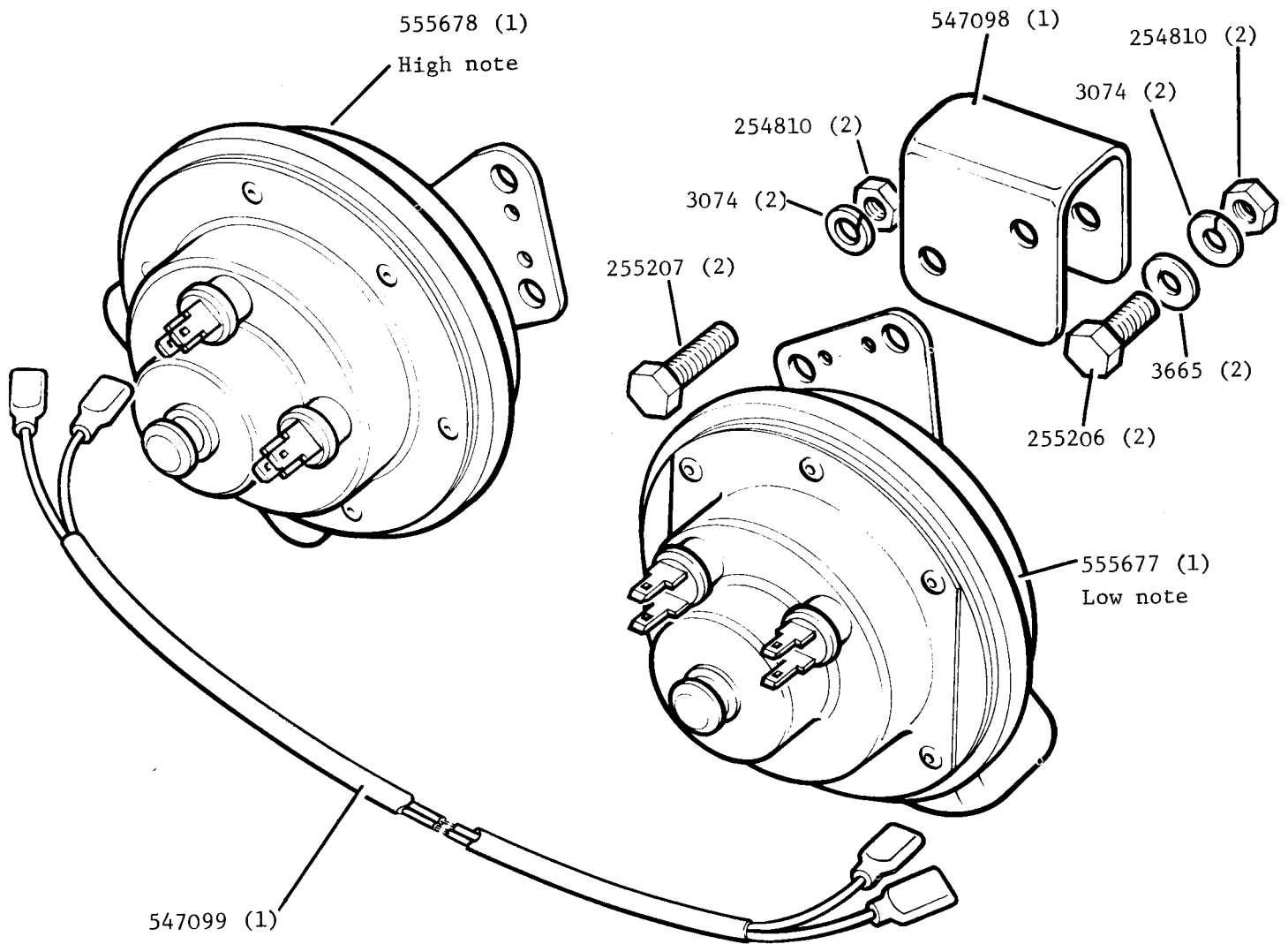
@ R.H.Stg

@@ L.H.Stg

% All except R.H.Stg 109" 2.6 models

%% R.H.Stg 109" 2.6 models

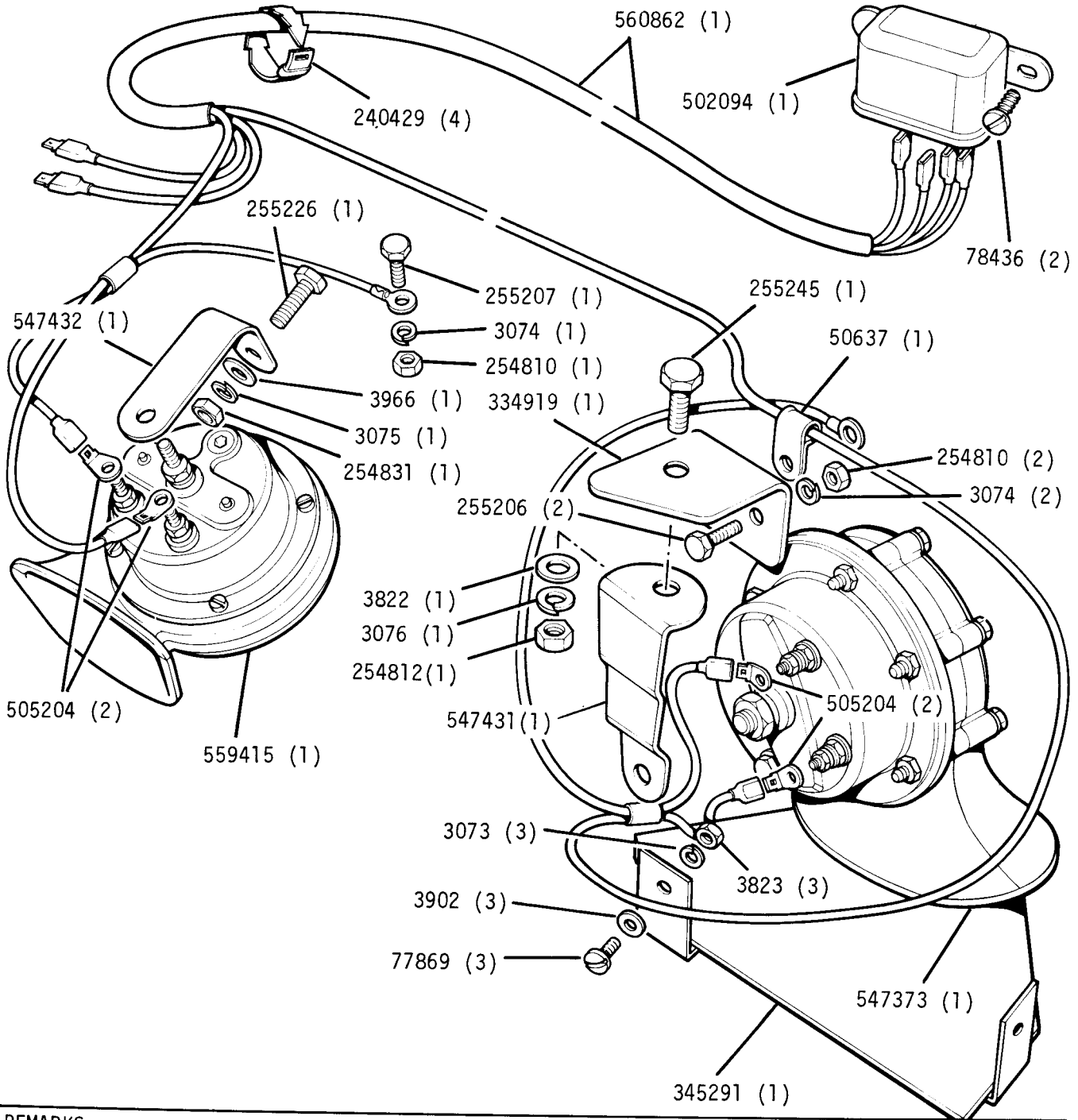
TWIN HORNS. SERIES IIA AND III EXCEPT FRANCE



REMARKS

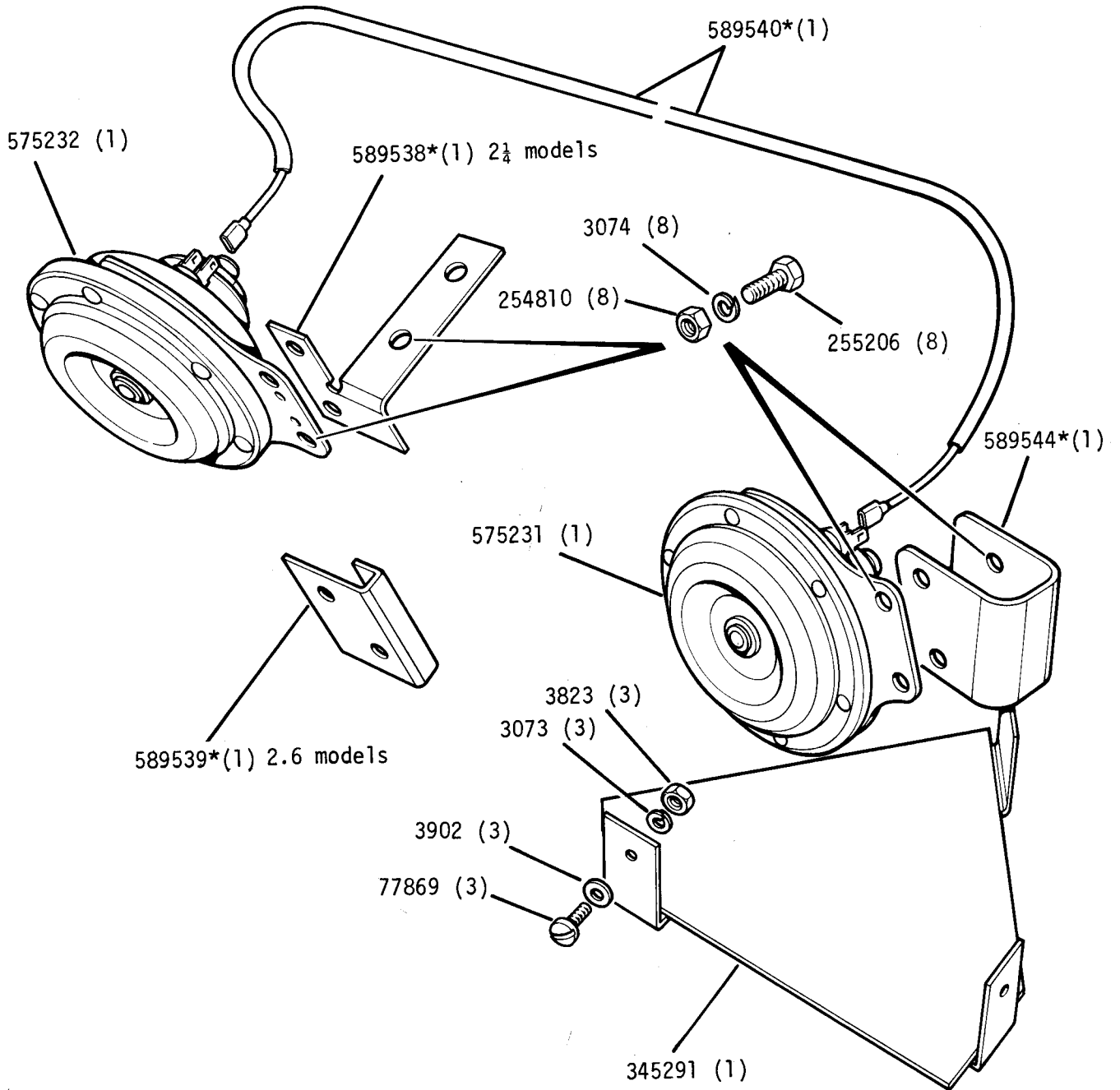
Twin Horn Kit 605134 (1)

TWIN HORNS SERIES III 2½ MODELS UP TO NOVEMBER 1971 FOR FRANCE ONLY



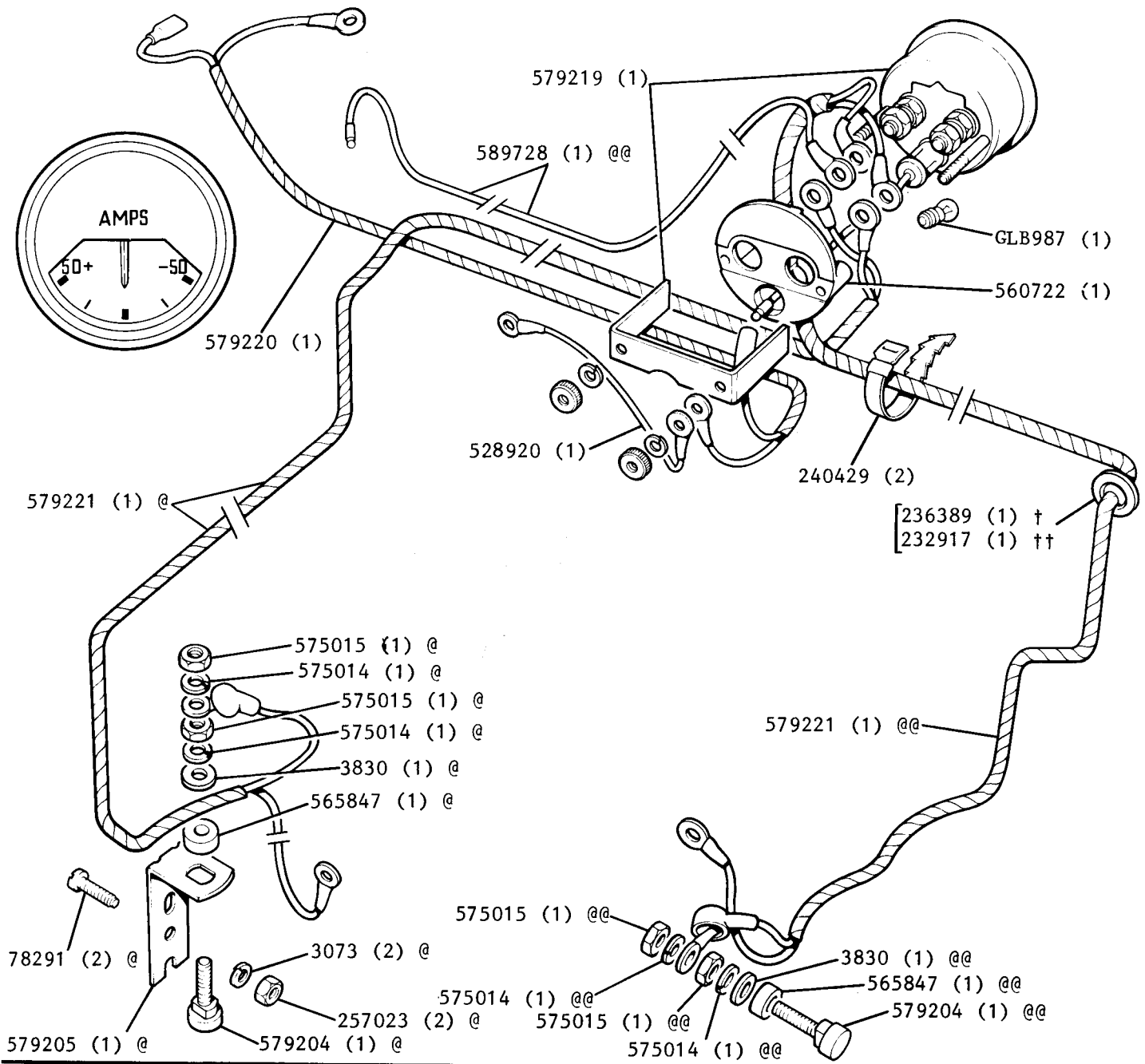
REMARKS

TWIN HORNS SERIES III 2½ MODELS FROM DECEMBER 1971 ONWARDS AND 2.6 MODELS FOR FRANCE ONLY



REMARKS

AMMETER SERIES III



REMARKS

Ammeter Kit 607696 (1) @

Ammeter Kit 607734 (1) @@

@ Petrol

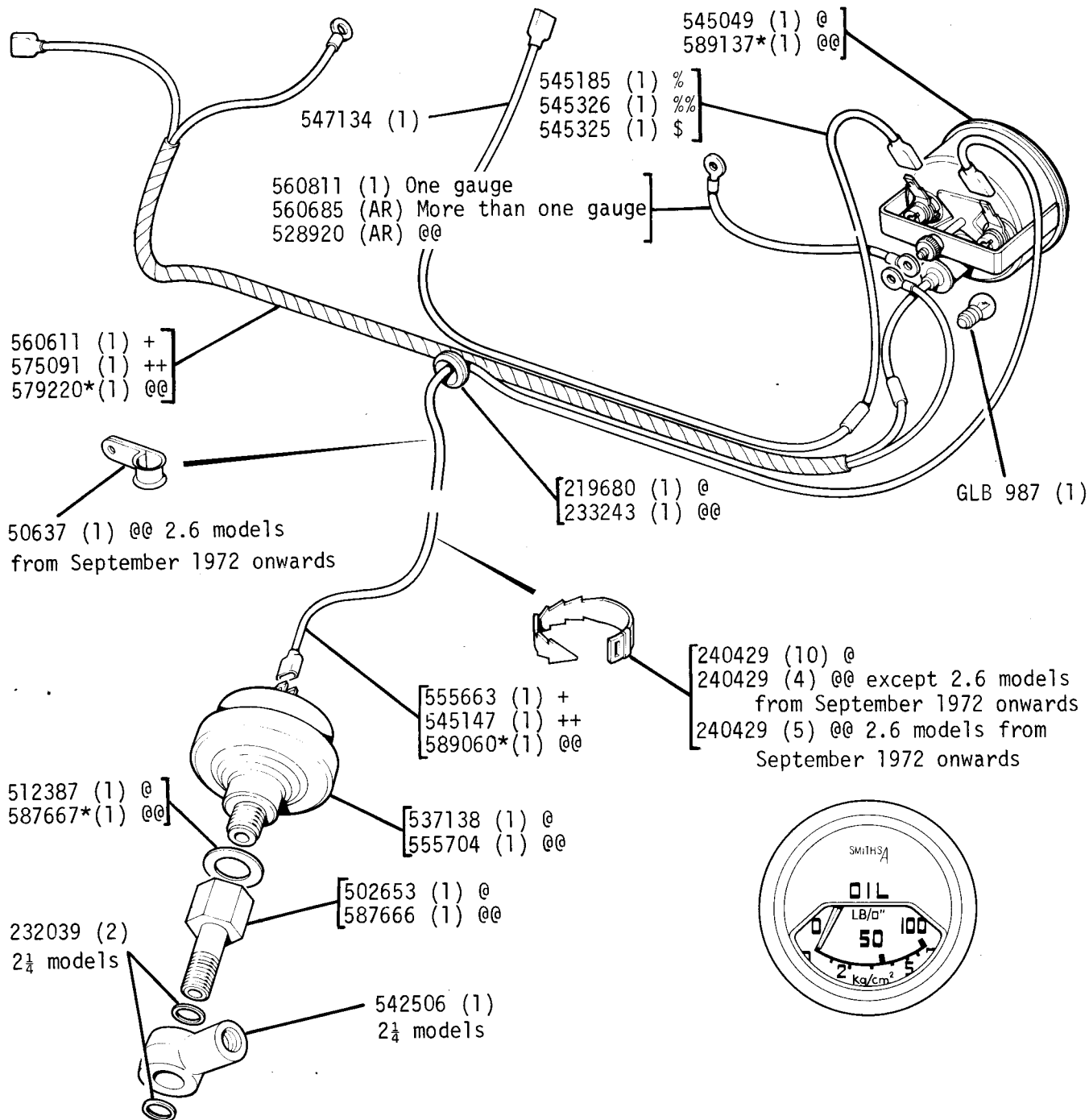
@@ Diesel

† Ammeter extra only fitted

†† Ammeter in conjunction with other electrical extras fitted



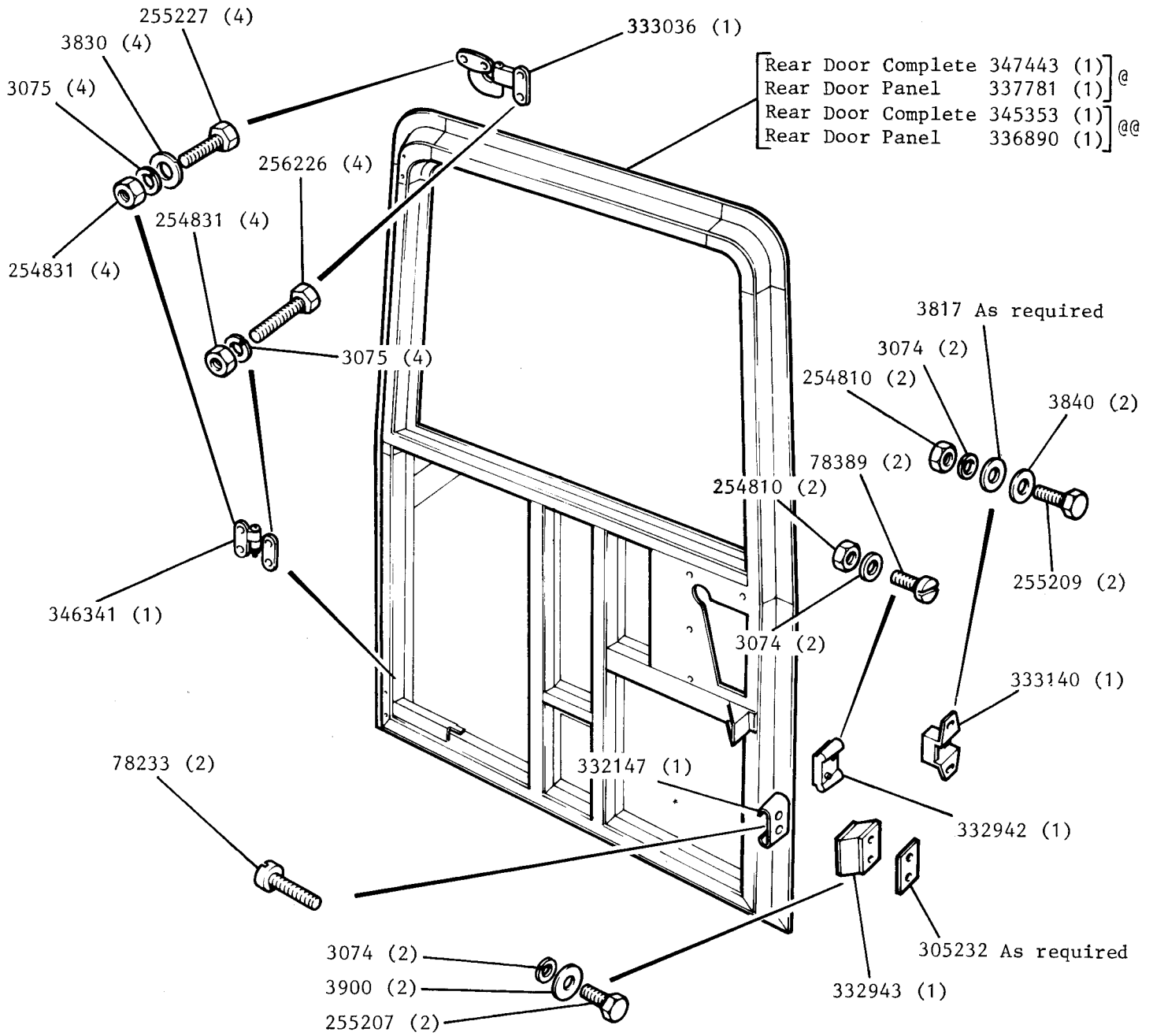
OIL PRESSURE GAUGE SERIES IIA AND III



REMARKS

- Oil Pressure Gauge Kit 605252 (1) RH Stg ] @ @ Series IIA
- Oil Pressure Gauge Kit 605253 (1) LH Stg ] @ @ Series III
- Oil Pressure Gauge Kit 607700\*(1) 2½ ] @@
- Oil Pressure Gauge Kit 607702\*(1) 2.6 ] @@
- % Series IIA except N.A.D.A. vehicles Series III 2½ models from September 1972 onwards
- %% Series III 2½ models up to August 1972 inclusive
- \$ Series IIA N.A.D.A. vehicles only
- + Series IIA up to August 1968 inclusive
- ++ Series IIA from September 1968 onwards

REAR DOOR HINGES, PANEL AND FIXINGS, SERIES IIA AND III



REMARKS

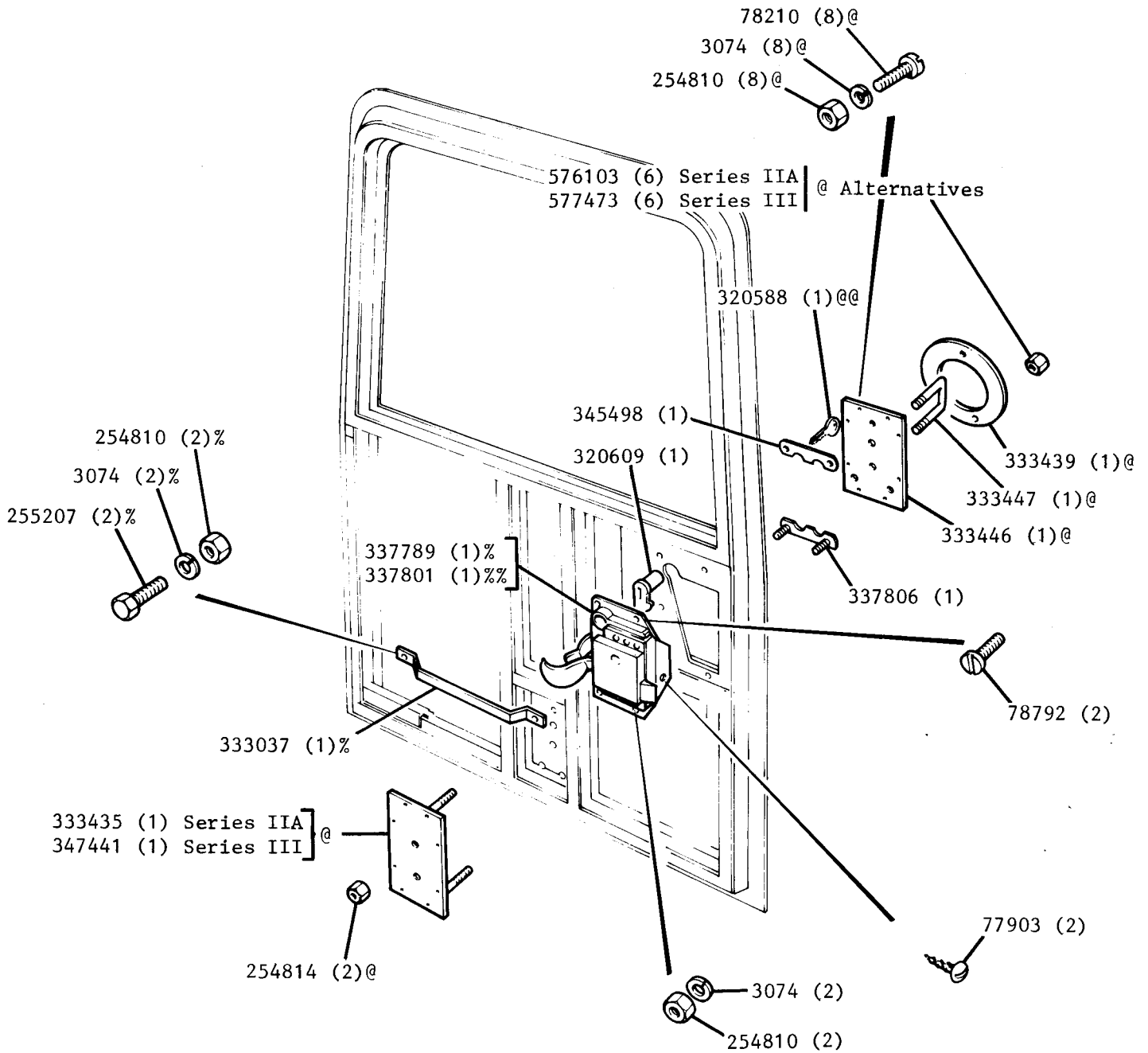
@ With Spare Wheel Support

@@ Less Spare Wheel Support

Rear Door, Plus Spare Wheel Carrier Kit 320777 (1)

Rear Door, Less Spare Wheel Carrier Kit 320828 (1)

REAR DOOR, LOCK, AND CARRIER. SERIES IIA AND III

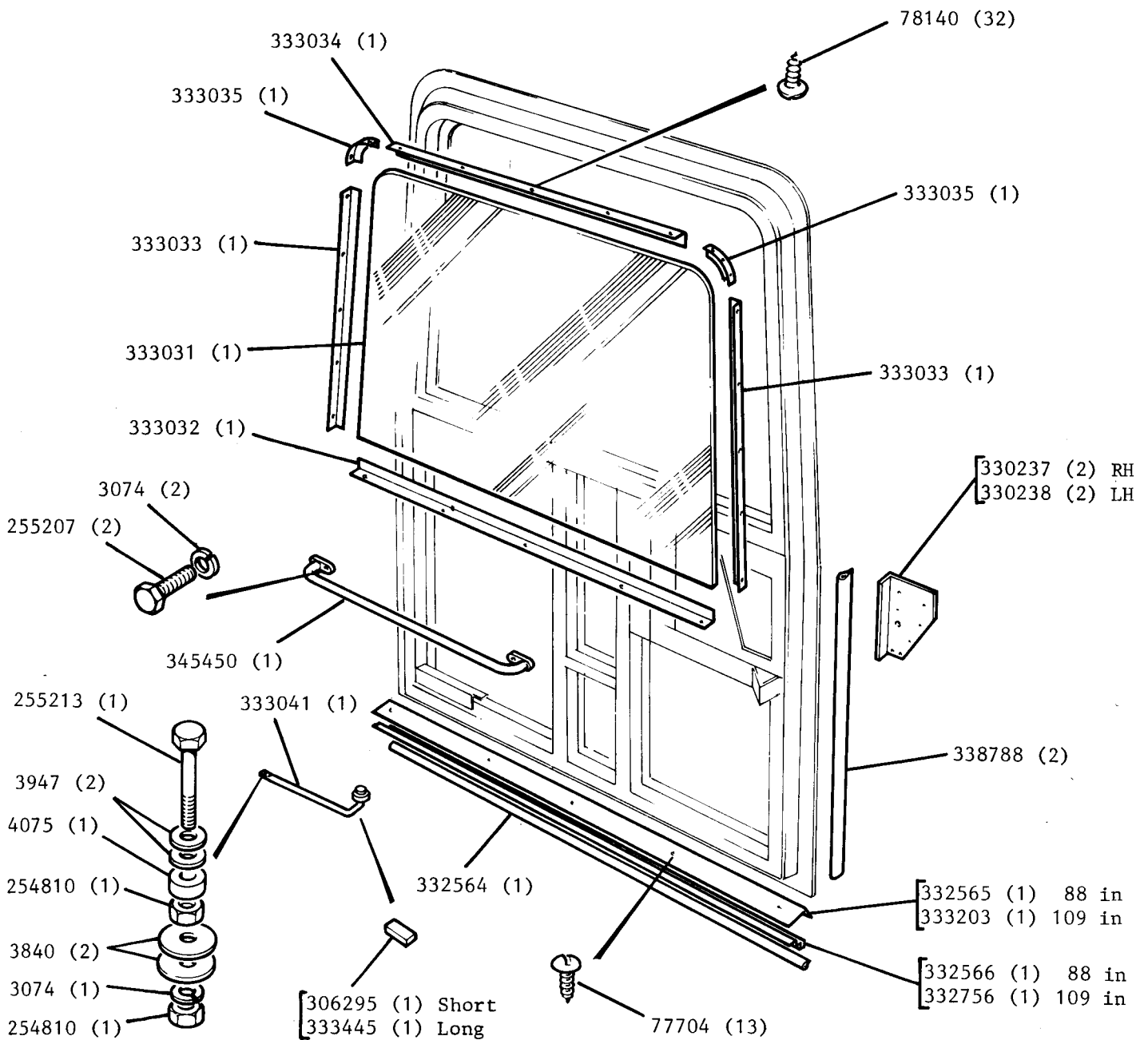


REMARKS

- @ For Rear End Door with Spare Wheel Carrier
- @@ State Key Number when Ordering
- % For Lock with Extended Inner Handle
- %% For Lock with Short Inner Handle

Rear Door, Plus Spare Wheel Carrier Kit 320777 (1)  
 Rear Door, Less Spare Wheel Carrier Kit 320828 (1)

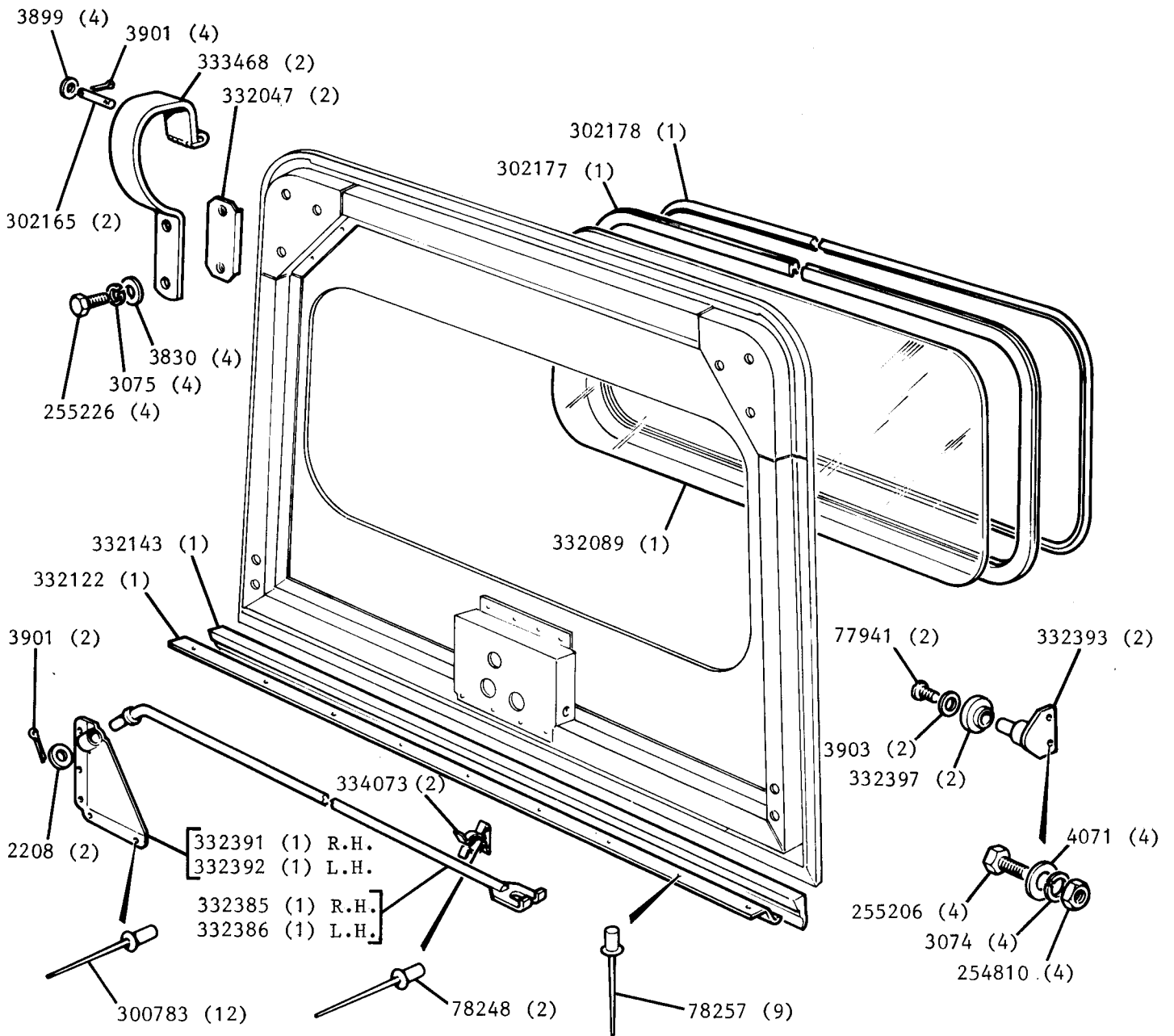
REAR DOOR GLASS, SEALS AND CHECK STRAP SERIES IIA AND III



REMARKS

- Rear Door Plus Spare Wheel Carrier Kit 320777 (1)
- Rear Door Less Spare Wheel Carrier Kit 320828 (1)

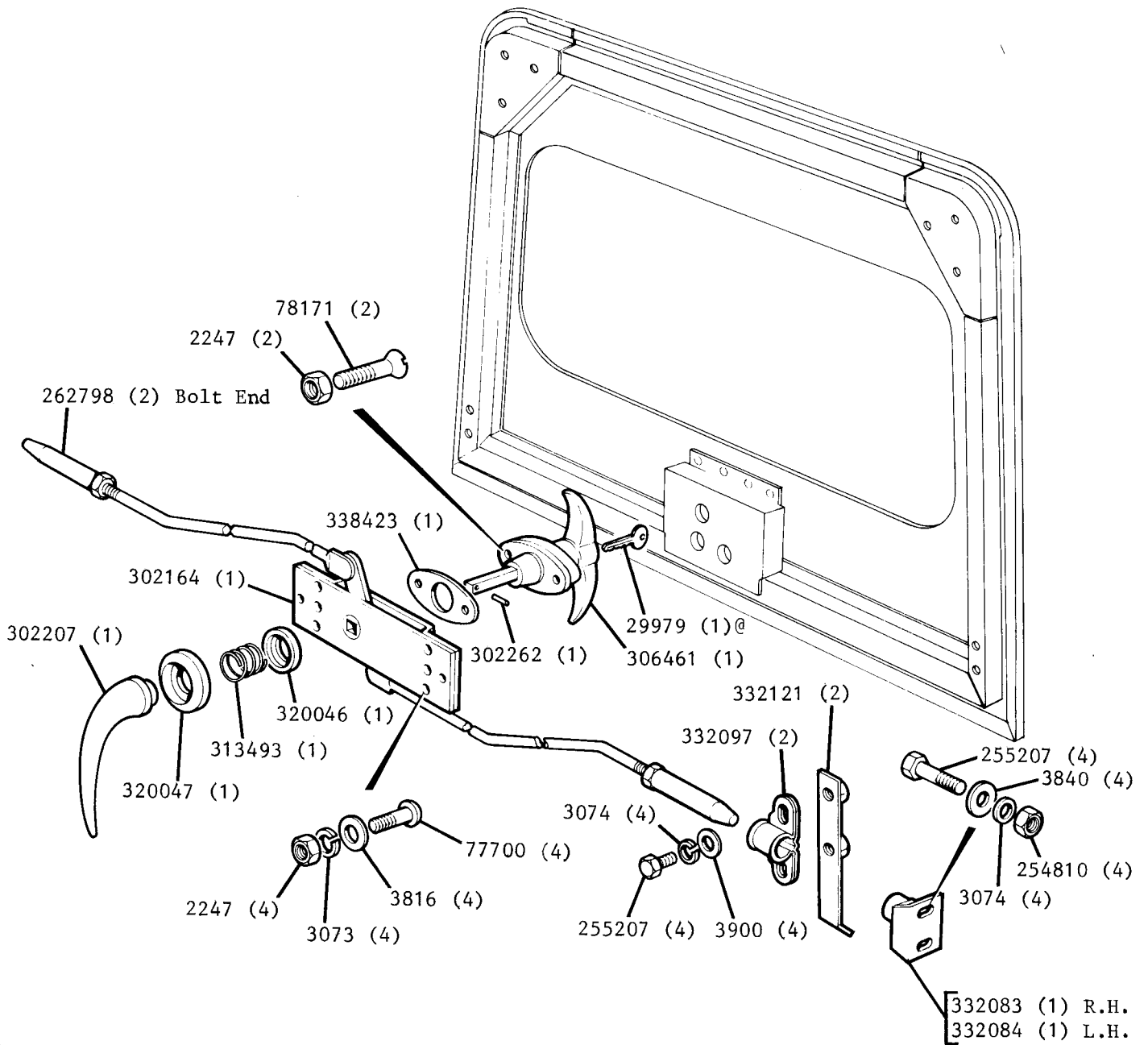
REAR LID GLASS, SEALS, HINGE AND STAY, SERIES IIA AND III



REMARKS

Rear Lid Complete Assembly 320652 (1)

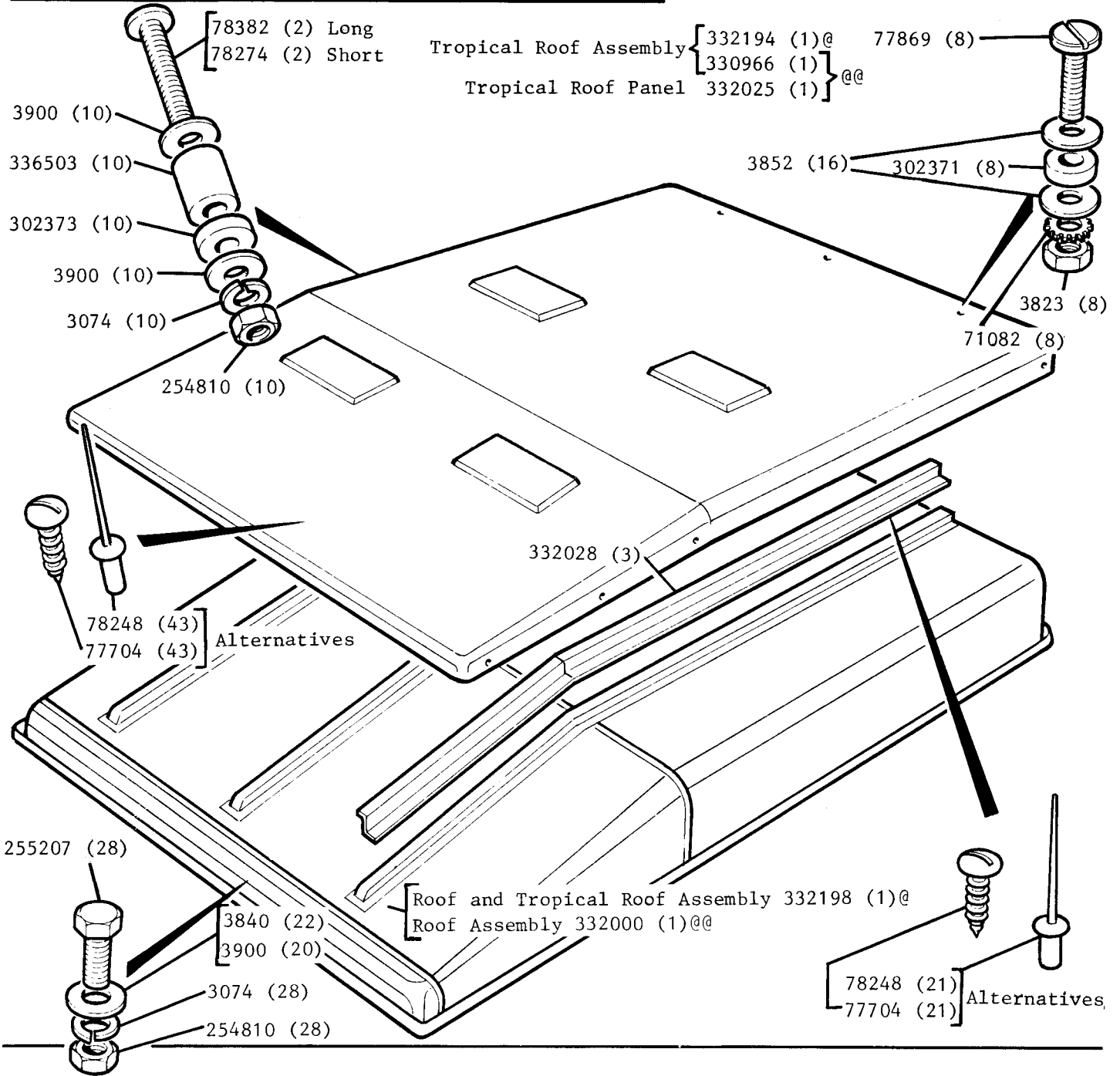
REAR LID LOCK AND SOCKET, SERIES IIA AND III



REMARKS

Rear Lid Complete Assembly 320652 (1)  
 @ State Key Number When Ordering

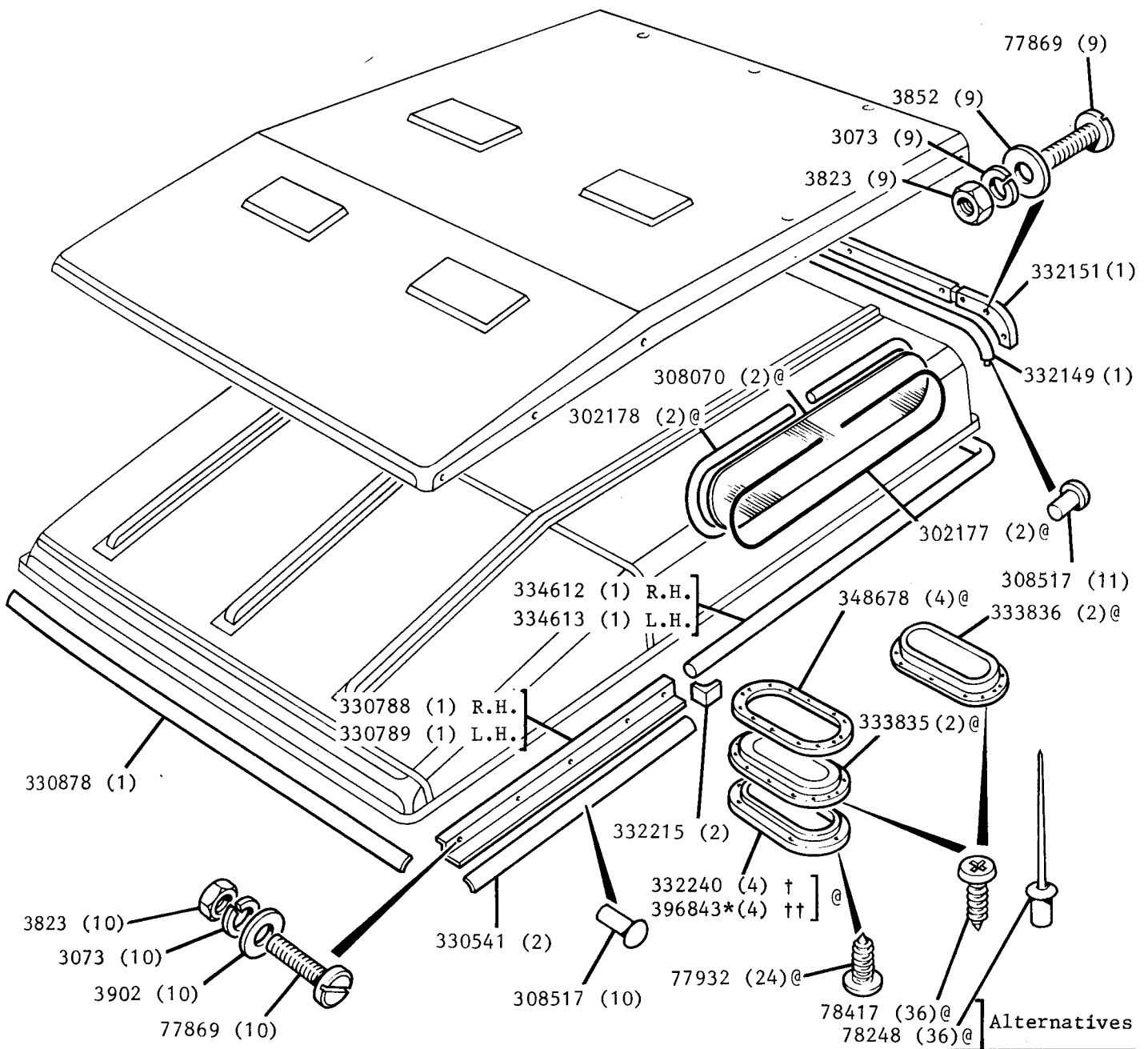
HARD TOP ROOF PANELS AND FIXINGS. SERIES IIA AND III 88"



REMARKS

- @ Station Wagon type Roof
- @@ Hard Top type Roof

HARD TOP ROOF SEALS, VENTILATORS AND ALPINE LIGHT SERIES IIA AND III 88"

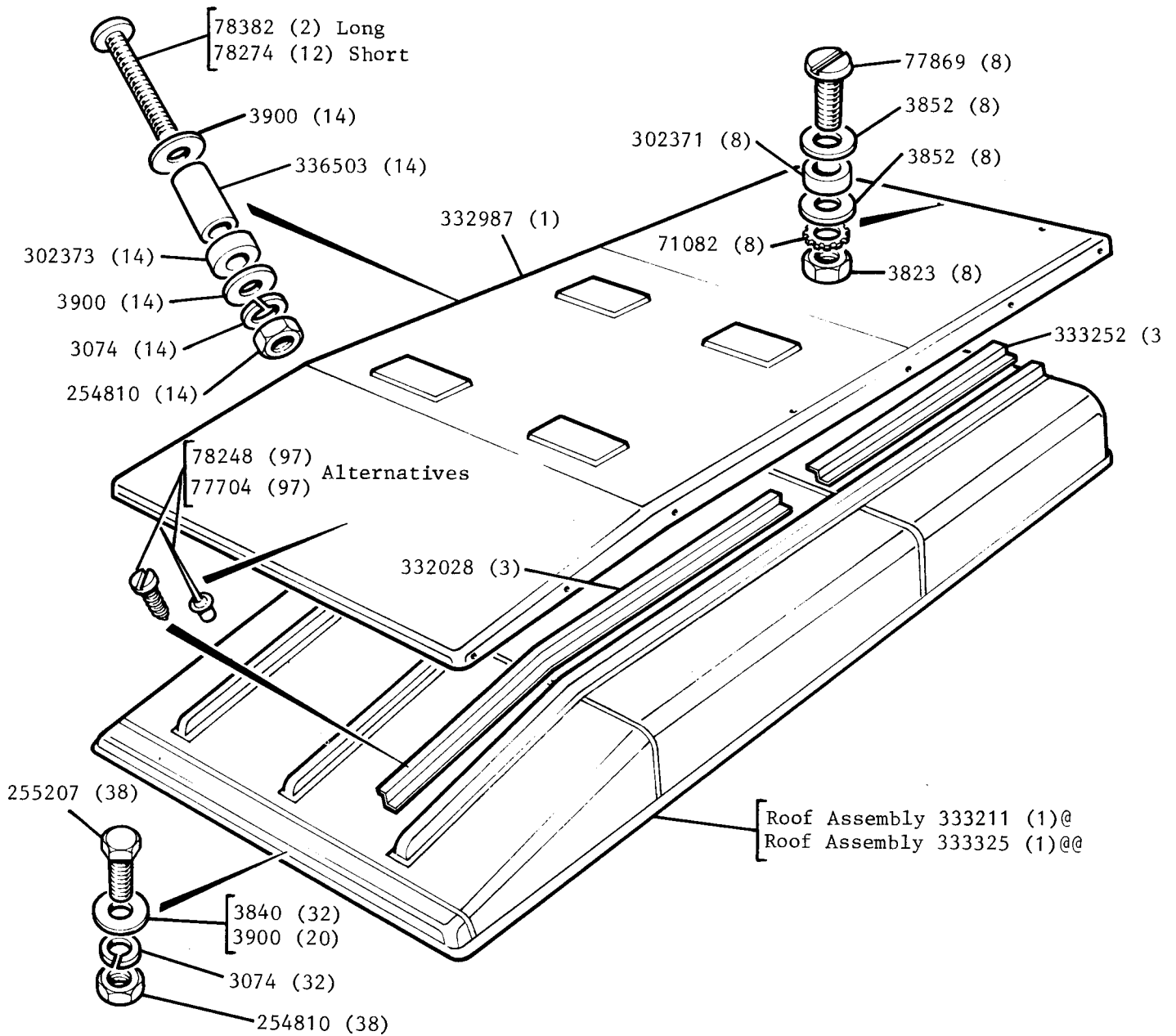


REMARKS

- @ Station Wagon Type Roof
- † White
- †† Limestone



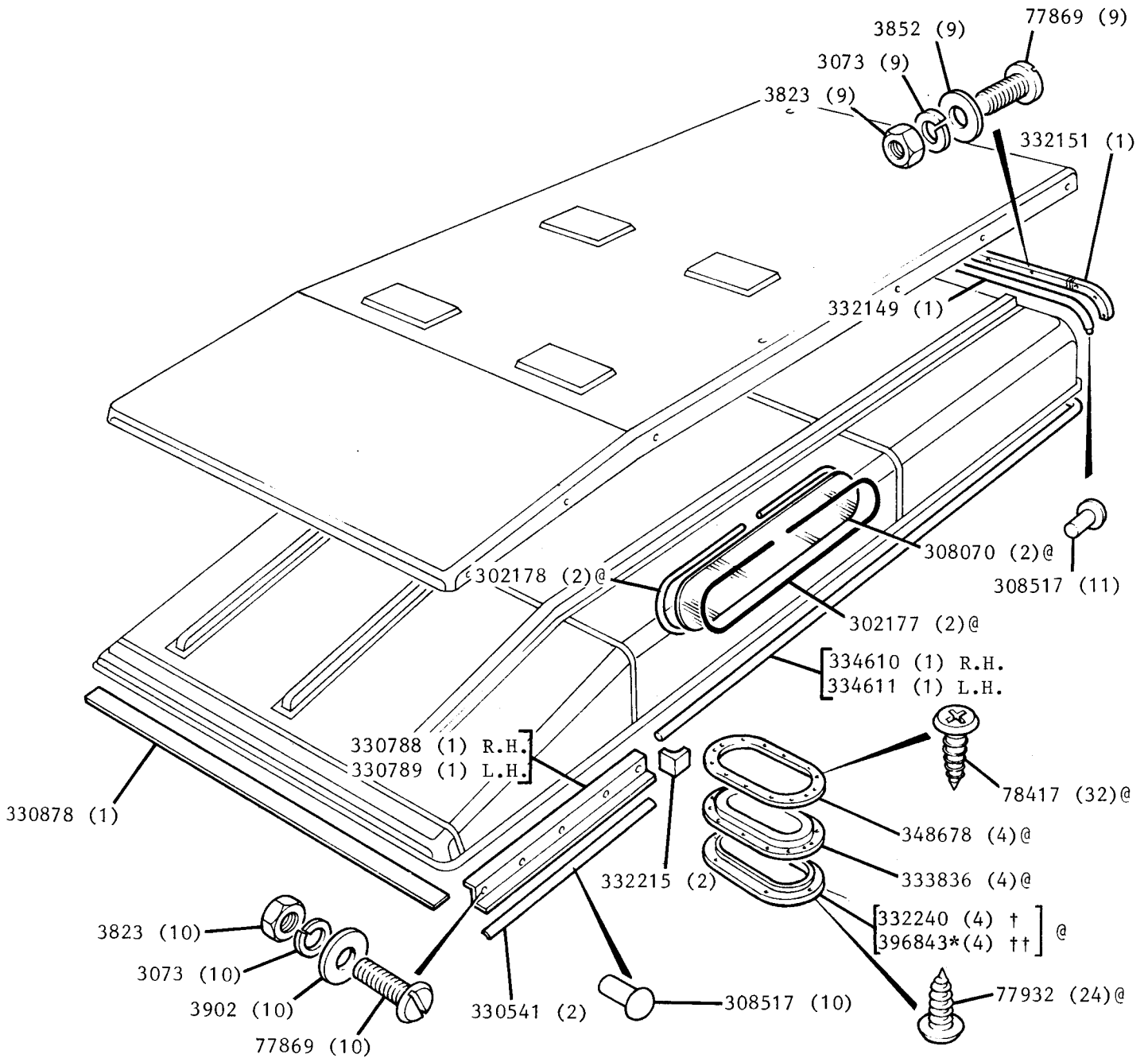
HARD TOP ROOF PANELS AND FIXINGS, SERIES IIA AND III 109"



REMARKS

@ Station Wagon type Roof  
 @@ Hard Top type Roof

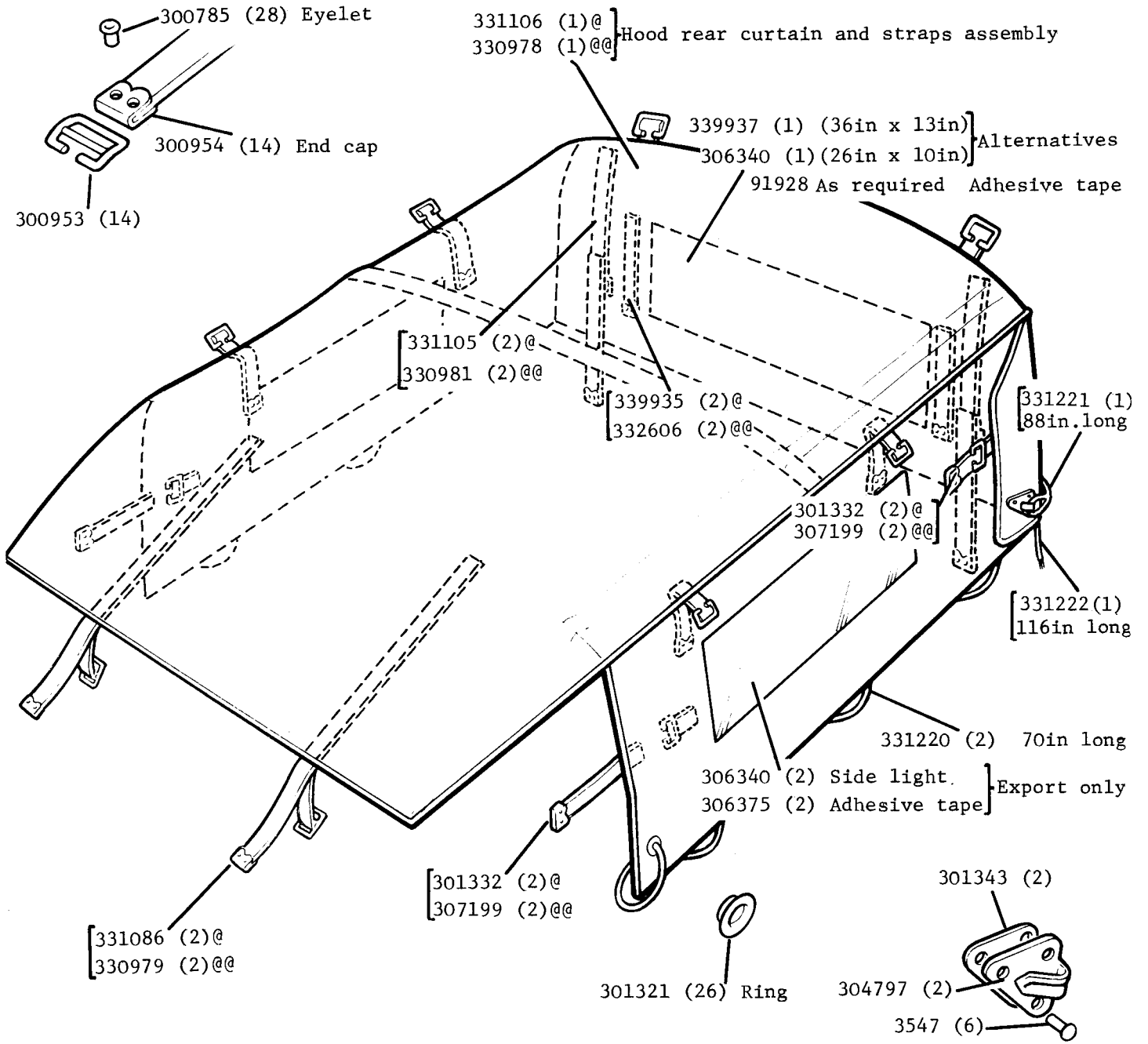
HARD TOP ROOF SEALS, VENTILATORS AND ALPINE LIGHT SERIES IIA AND III 109"



REMARKS

- @ Station Wagon Type Roof
- † White
- †† Limestone

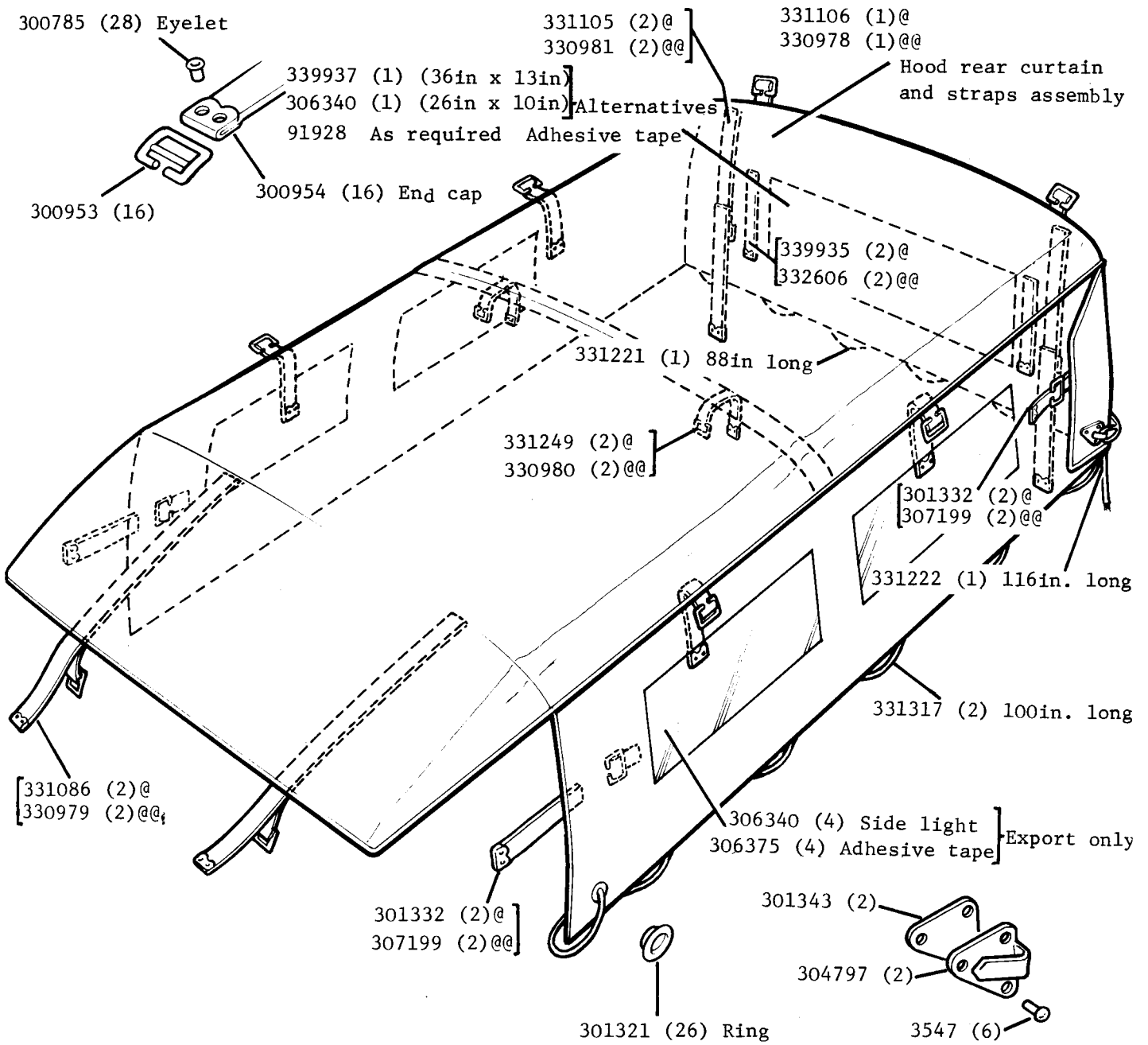
FULL LENGTH HOOD. SERIES 11A AND 111 88in



REMARKS

- Hood Complete, Full Length, Plain Sides, Green 331110 (1)
  - Hood Complete, Full Length, Plain sides, Blue 330982 (1)
  - Hood Complete, Full Length, With Side Windows, Green 331113 (1)
  - Hood Complete, Full Length, With Side Windows, Blue 330983 (1) } Export only
- @Green @@ Blue

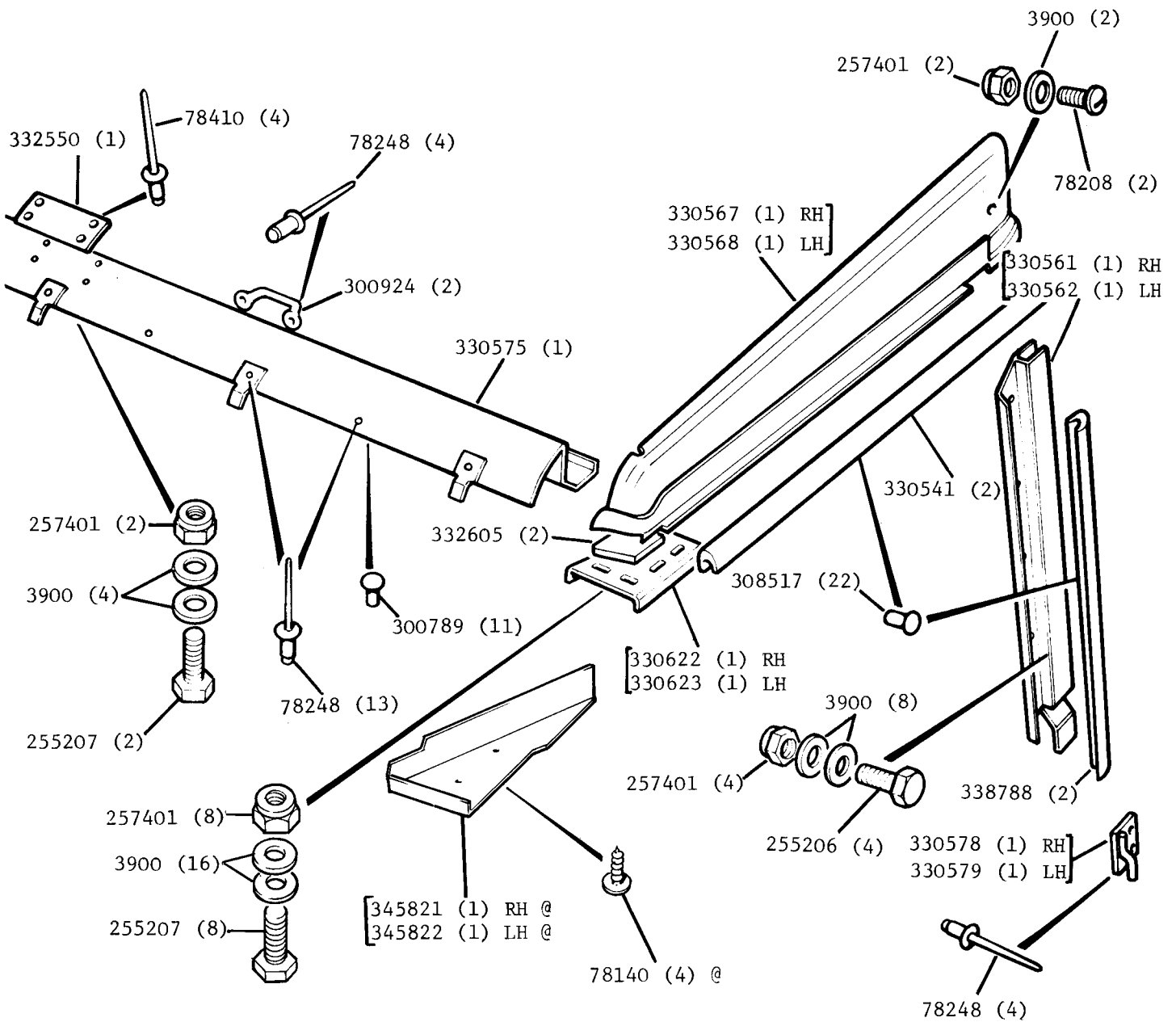
FULL LENGTH HOOD. SERIES 11A AND 111 109in.



REMARKS

- Hood Complete Full Length, Plain Sides, Green 331259 (1)
  - Hood Complete Full Length Plain Sides, Blue 330984 (1)
  - Hood Complete, Full Length, With Side windows, Green 331260 (1)
  - Hood Complete, Full Length, With Side windows Blue 330985 (1)
- } Export only
- @ Green    @@ Blue

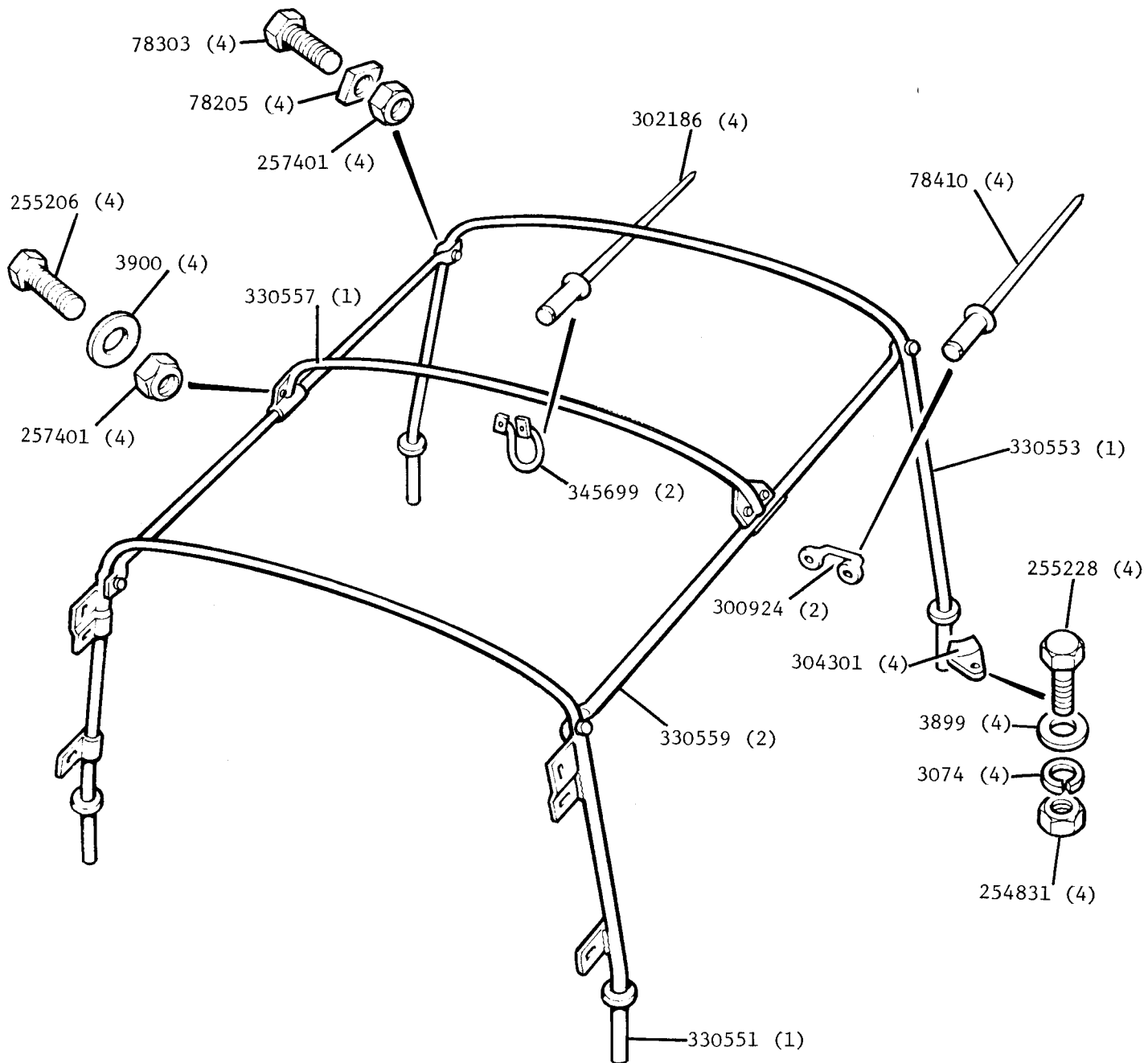
FULL LENGTH HOOD, FRONT FIXINGS. SERIES 11A AND 111 88in AND 109in



REMARKS

Hoodsticks And Fixings Complete 330999 (1) 88in.  
 Hoodsticks And Fixings Complete 332951 (1) 109in.  
 @ Not part of Hoodsticks and Fixings Kit

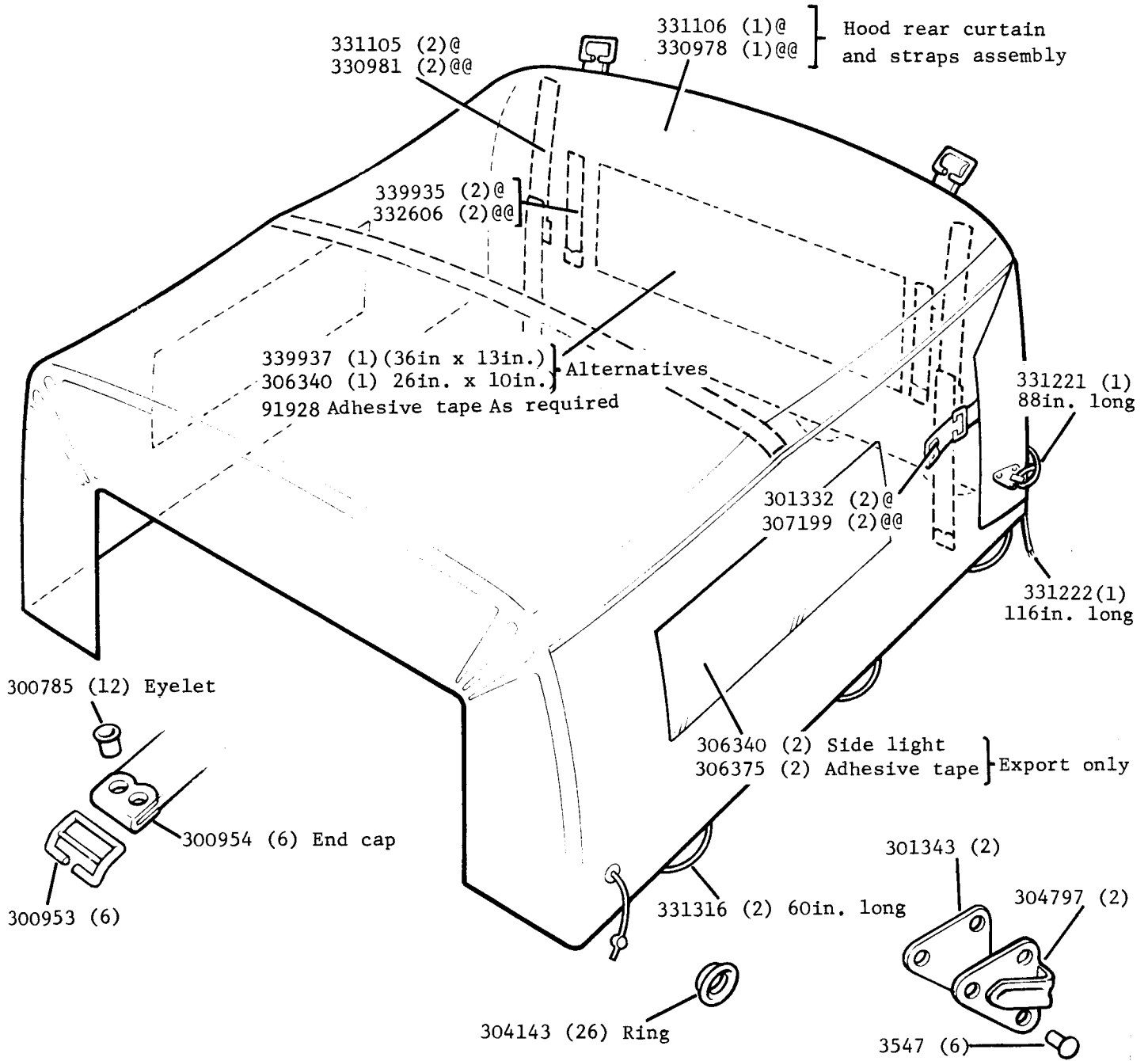
FULL LENGTH HOODSTICKS. SERIES 11A AND 111 88in.



REMARKS

Hoodsticks And Fixings Complete 330999 (1)

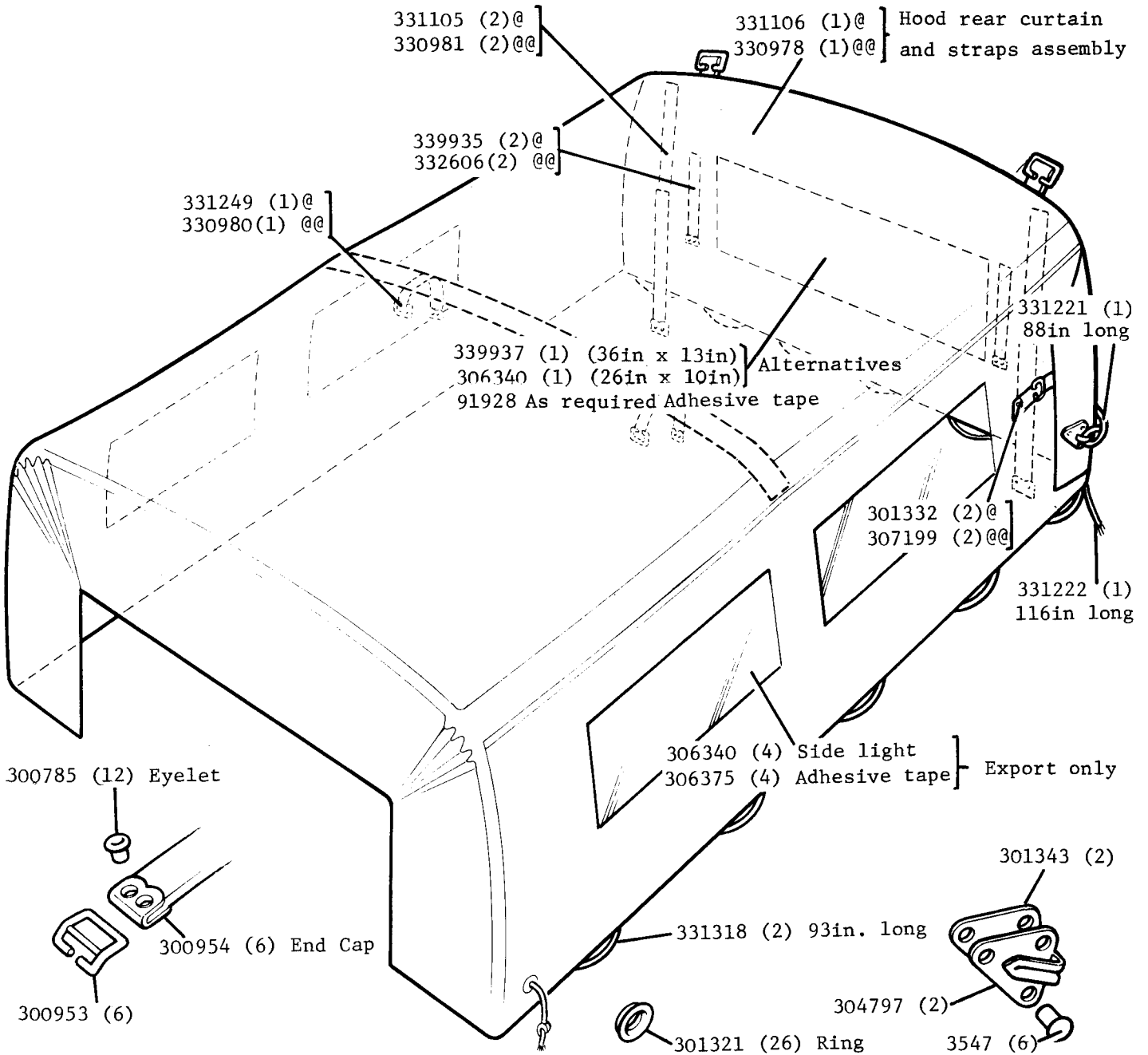
THREE-QUARTER LENGTH HOOD SERIES 11A AND 111 88in.



REMARKS

- Hood complete, Three-Quarter Length Plain Sides, Green 331371(1)
  - Hood complete, Three-Quarter Length Plain Sides, Blue 330986 (1)
  - Hood complete, Three-Quarter Length With Side Windows, Green 331372(1)
  - Hood complete, Three Quarter Length With Side Windows, Blue 330987(1) } Export only
- @ Green  
@@Blue

THREE-QUARTER LENGTH HOOD SERIES 11A AND 111 109 in.

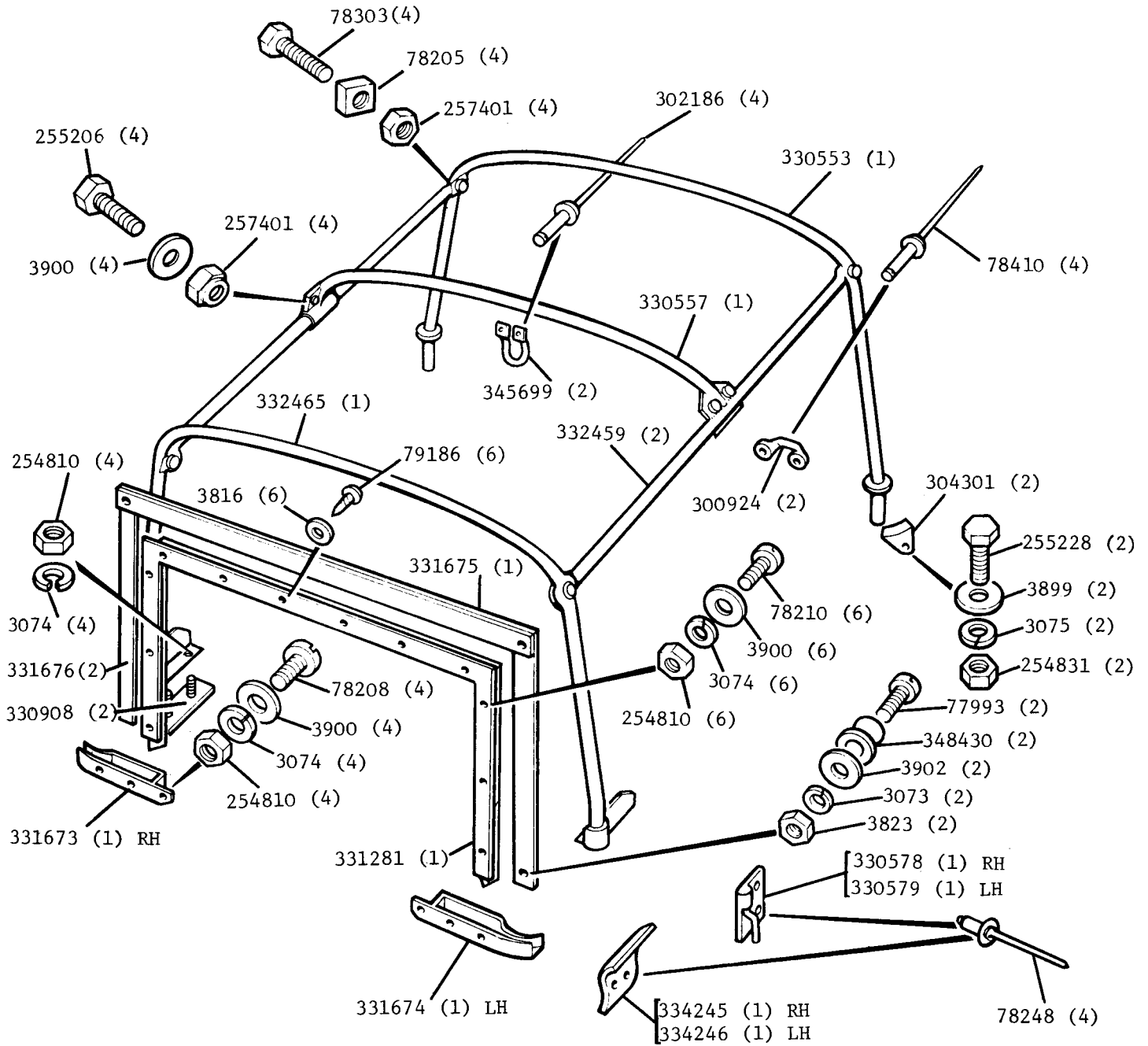


REMARKS

- Hood Complete, Three-Quarter Length Plain Sides, Green 331307 (1)
  - Hood Complete, Three-Quarter Length, Plain Sides, Blue 330997 (1)
  - Hood Complete, Three-Quarter Length With Side Windows, Green 331308 (1)
  - Hood Complete, Three-Quarter Length With Side Windows, Blue 330998 (1)
- } Export only
- @ Green  
@@ Blue



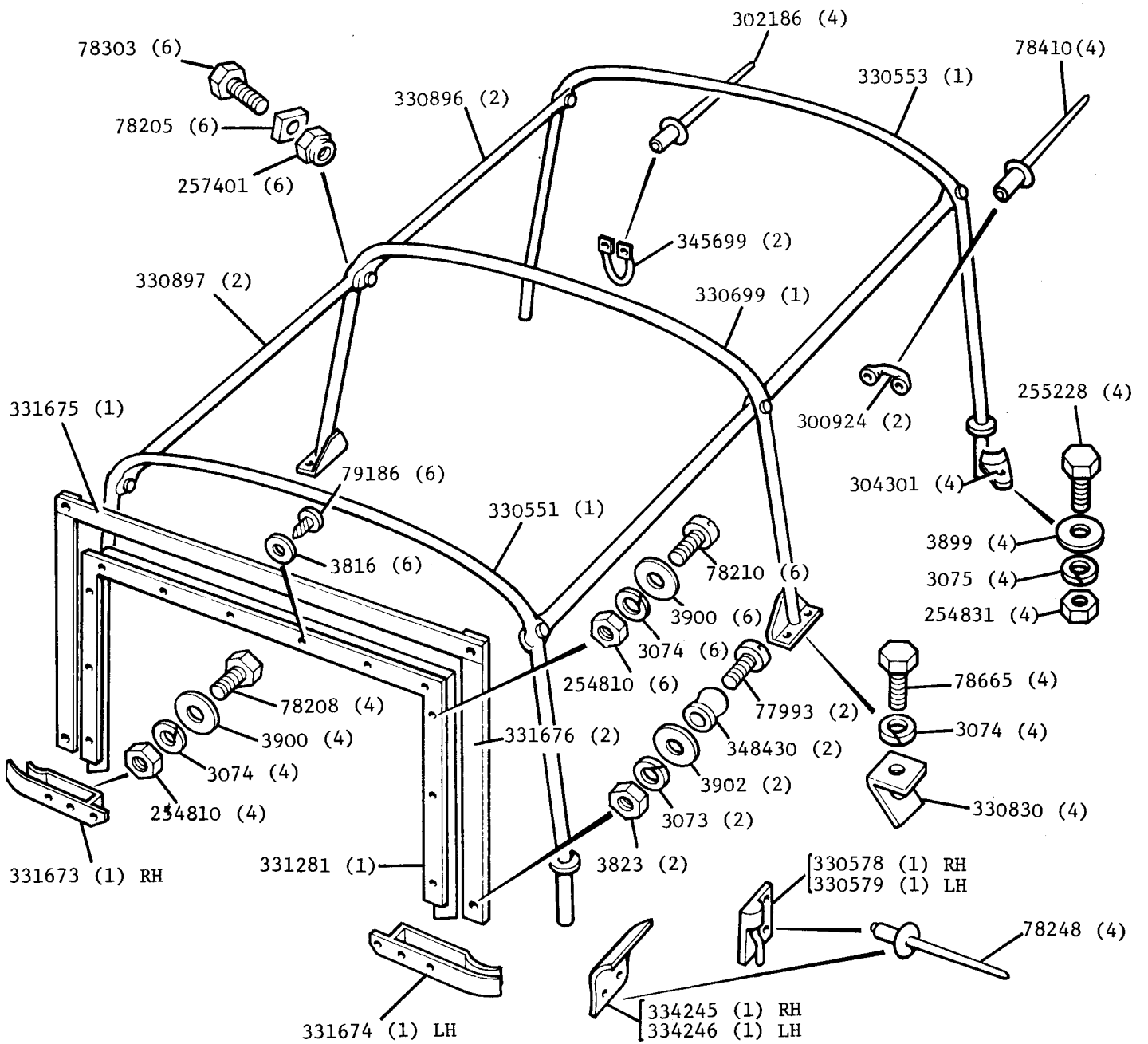
THREE-QUARTER LENGTH HOODSTICKS SERIES 11A AND 111 88in.



REMARKS

Hoodsticks And Fixings Complete 332950 (1)

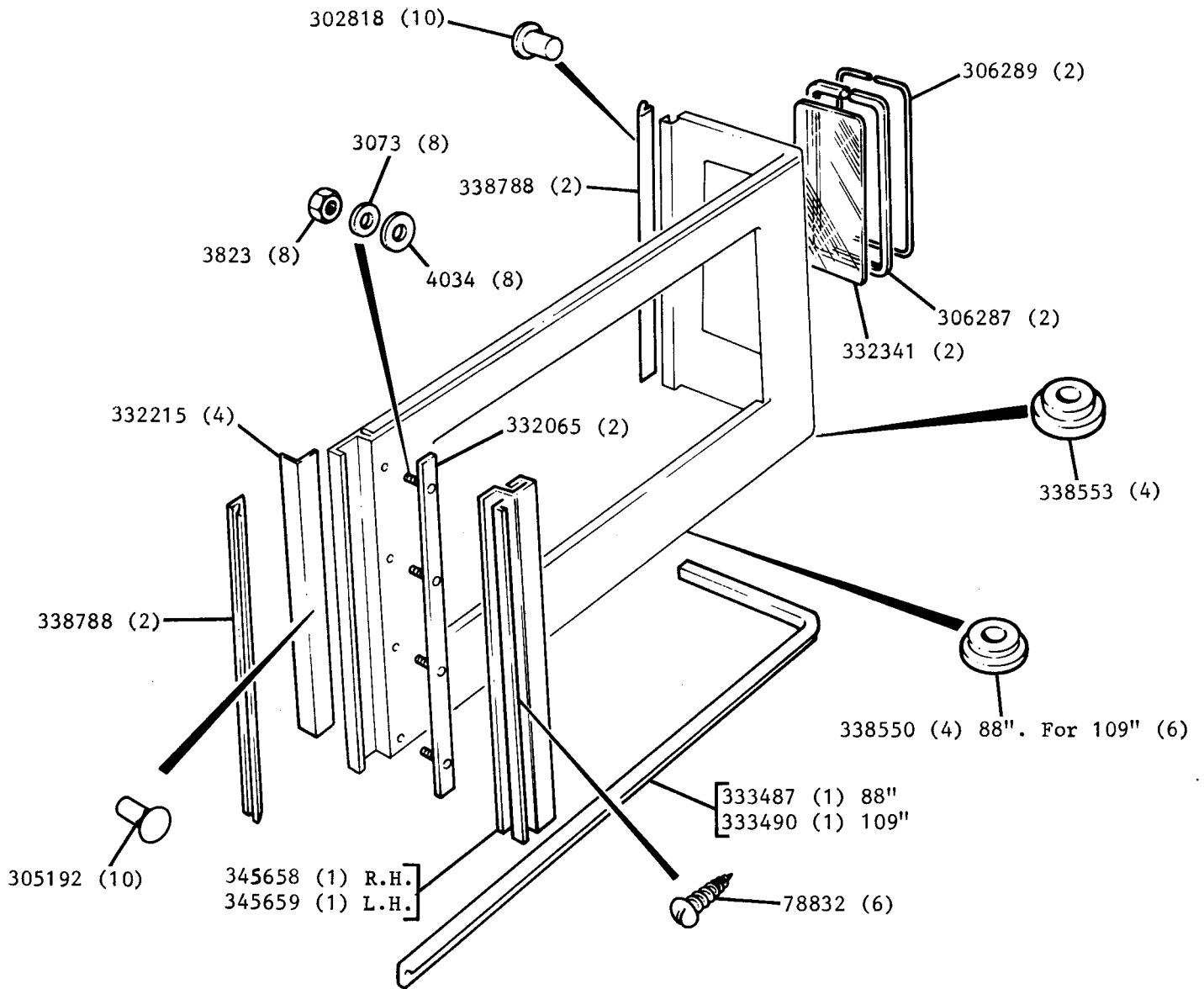
THREE-QUARTER LENGTH HOODSTICKS SERIES 11A AND 111 109 in.



REMARKS

Hoodsticks and Fixings Complete 332952 (1)

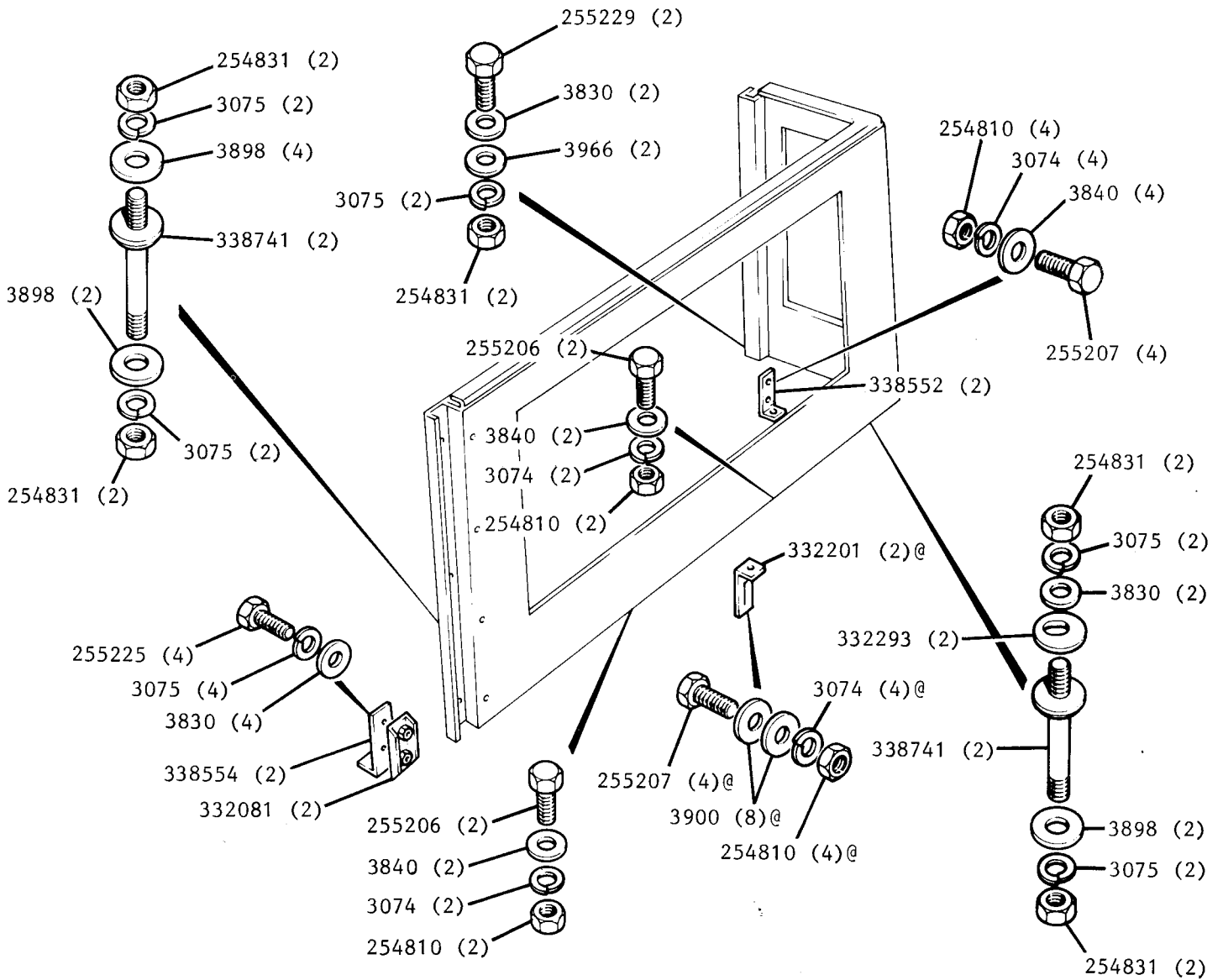
HARD TOP BODYSIDE, SEALS AND REAR GLASS, SERIES IIA AND III



REMARKS

Bodyside Assembly R.H.	334719	(1)	109 in	Plain sides	Export only
Bodyside Assembly L.H.	334720	(1)			
Bodyside Assembly R.H.	334707	(1)	88 in	Fixed	
Bodyside Assembly L.H.	334708	(1)			
Bodyside Assembly R.H.	334725	(1)	109 in	Windows	
Bodyside Assembly L.H.	334726	(1)			
Bodyside Assembly R.H.	334713	(1)	88 in	Sliding Windows	
Bodyside Assembly L.H.	334714	(1)			
Bodyside Assembly R.H.	332306	(1)	88 in With		
Bodyside Assembly L.H.	332307	(1)	Sliding Windows		

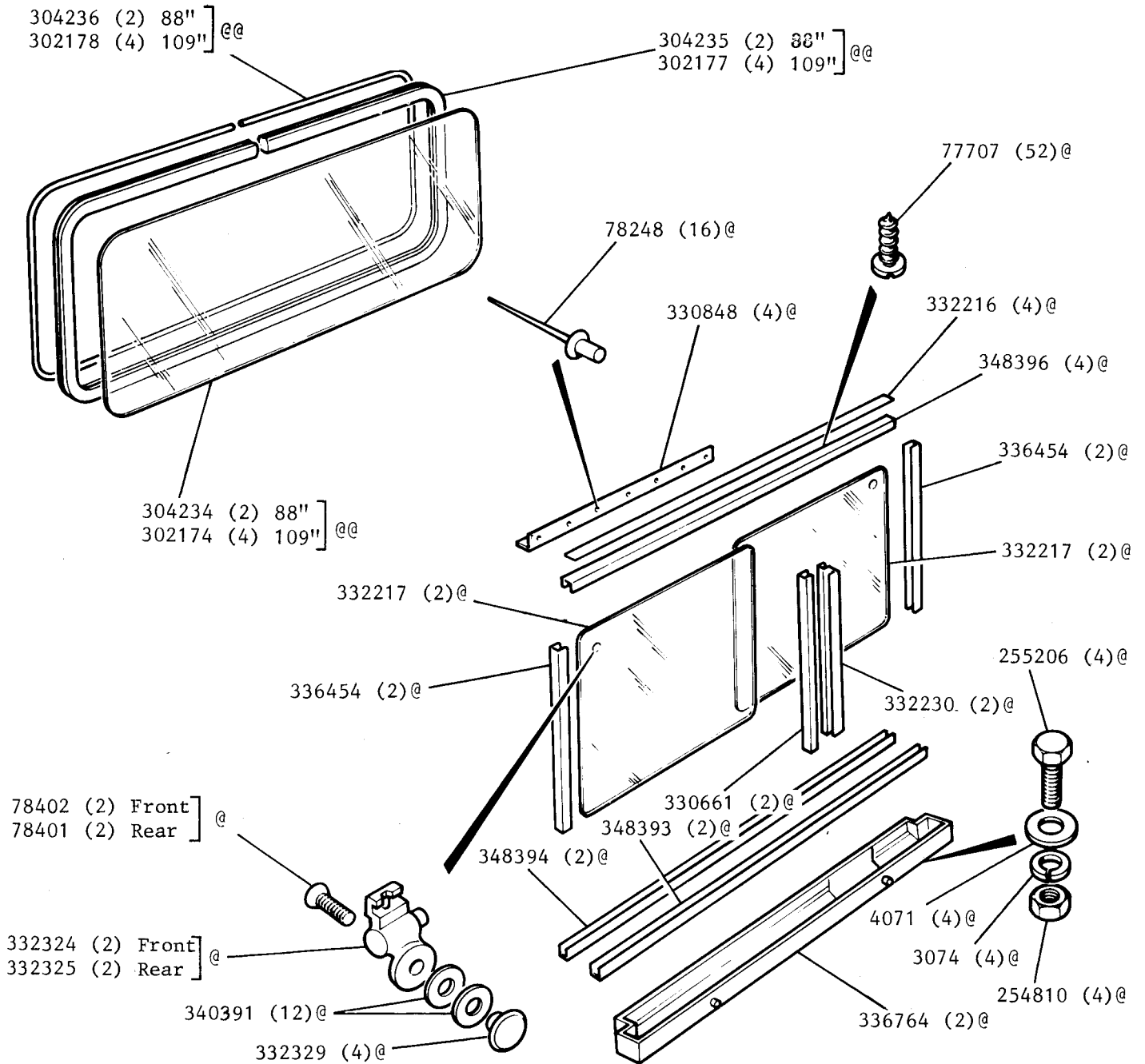
HARD TOP BODYSIDE FIXINGS SERIES IIA AND III



REMARKS

@ Double quantity for 109" models

HARD TOP BODYSIDE WINDOWS, SERIES IIA AND III EXPORT ONLY

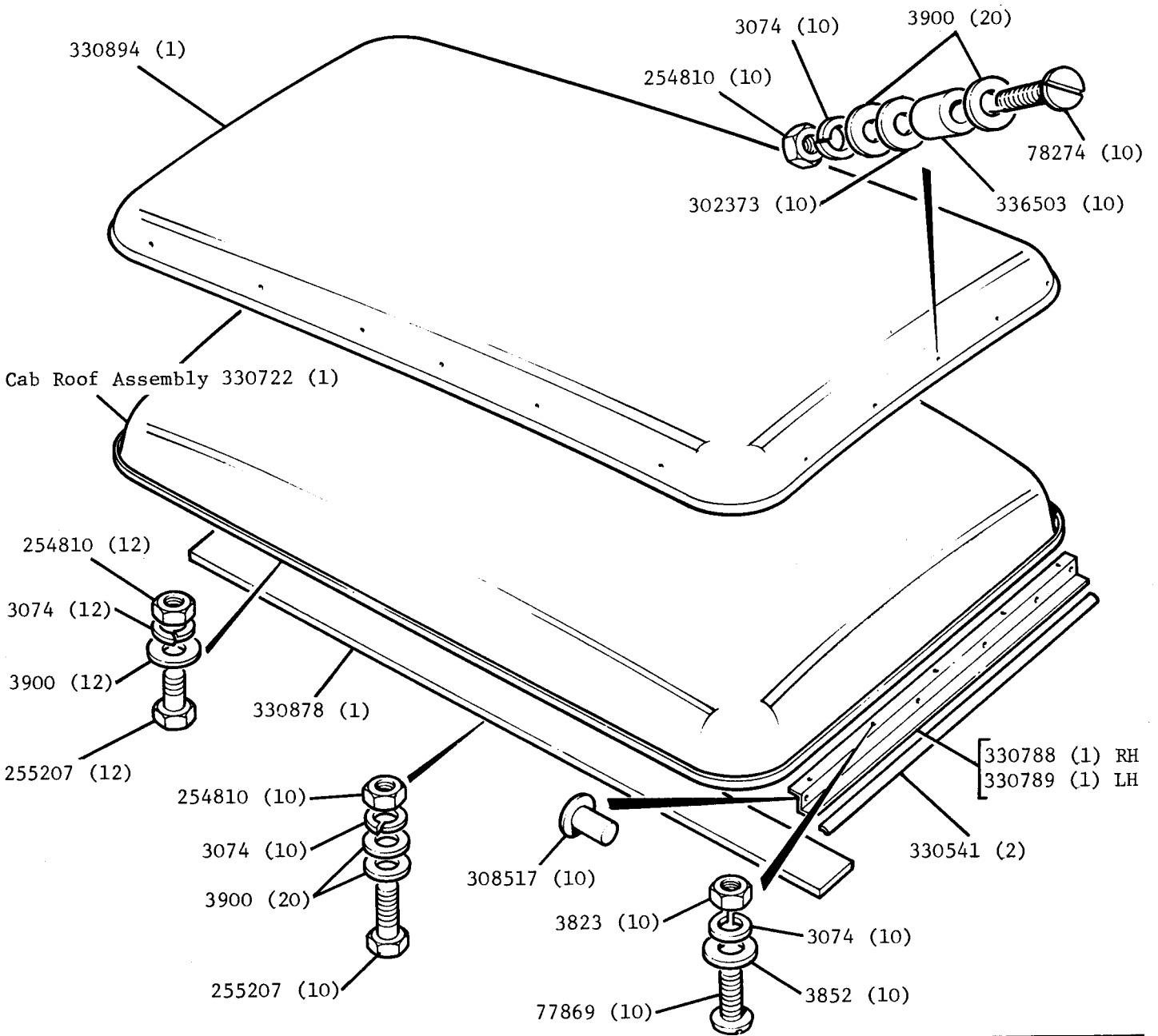


REMARKS

@ 88" Sliding Windows

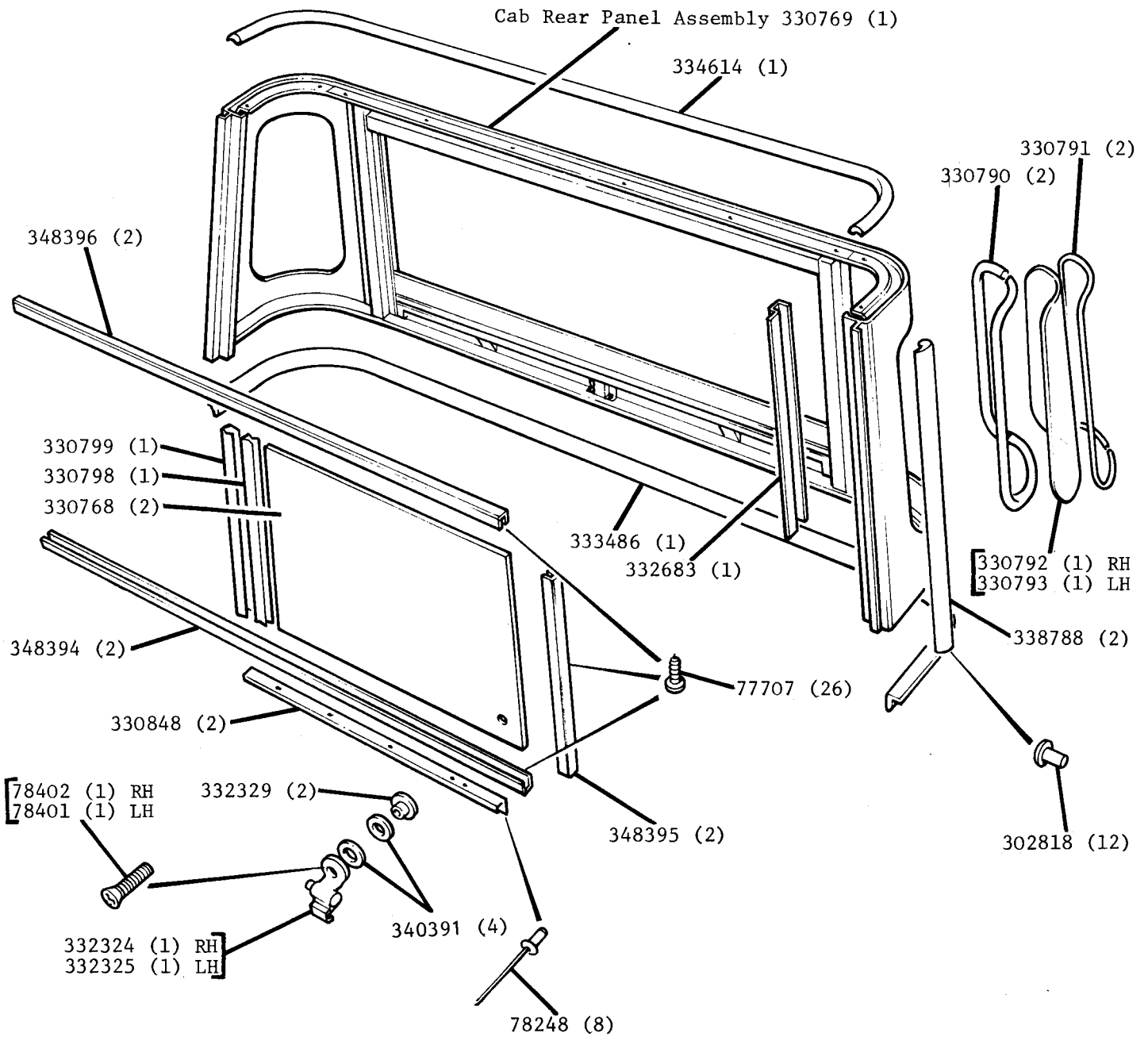
@@ Fixed Windows

TRUCK CAB ROOF AND ROOF SEALS SERIES IIA AND III



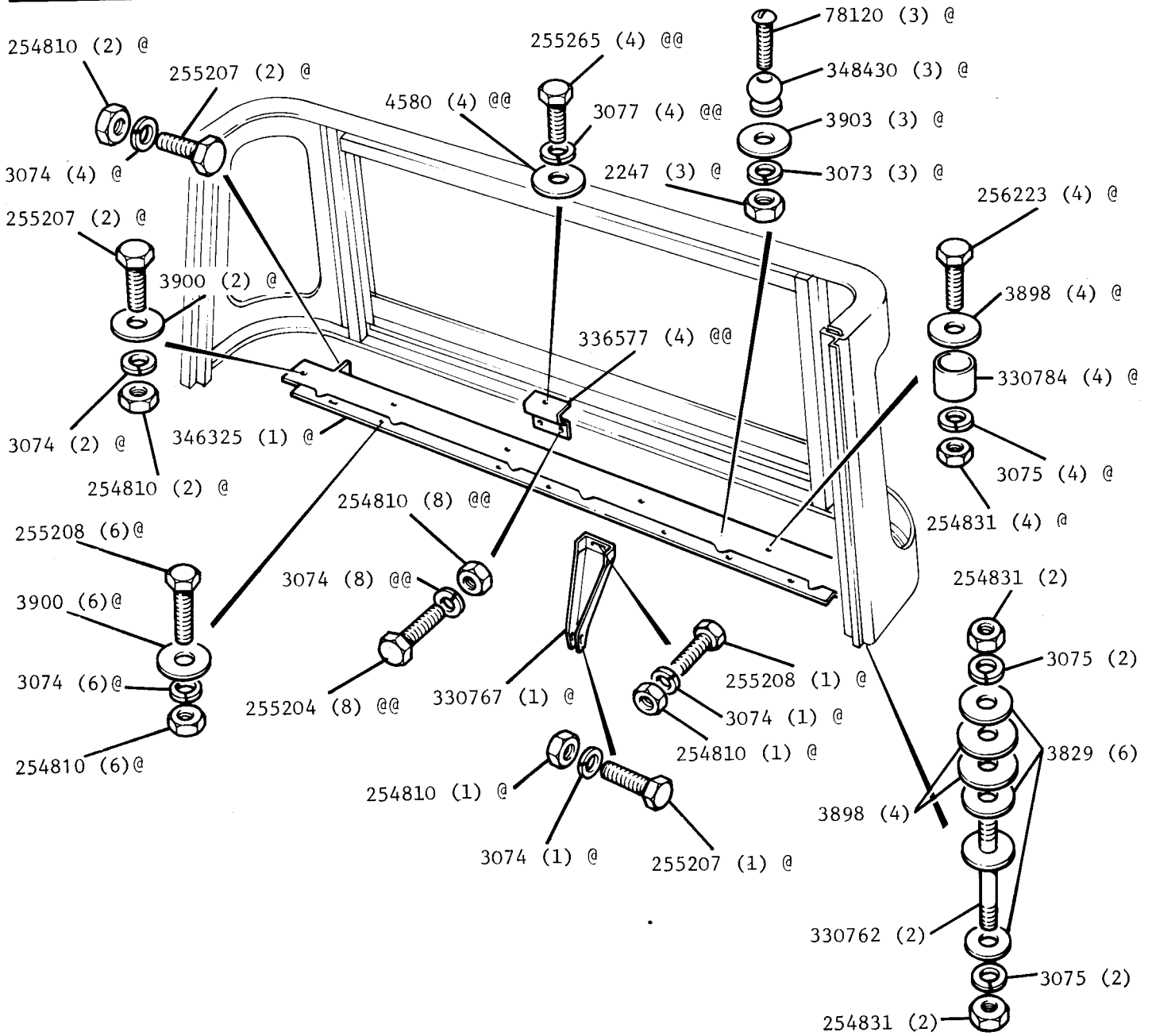
REMARKS

TRUCK CAB GLASS AND REAR PANEL SEALS SERIES IIA AND III



REMARKS

TRUCK CAB REAR PANEL FIXINGS SERIES IIA AND III



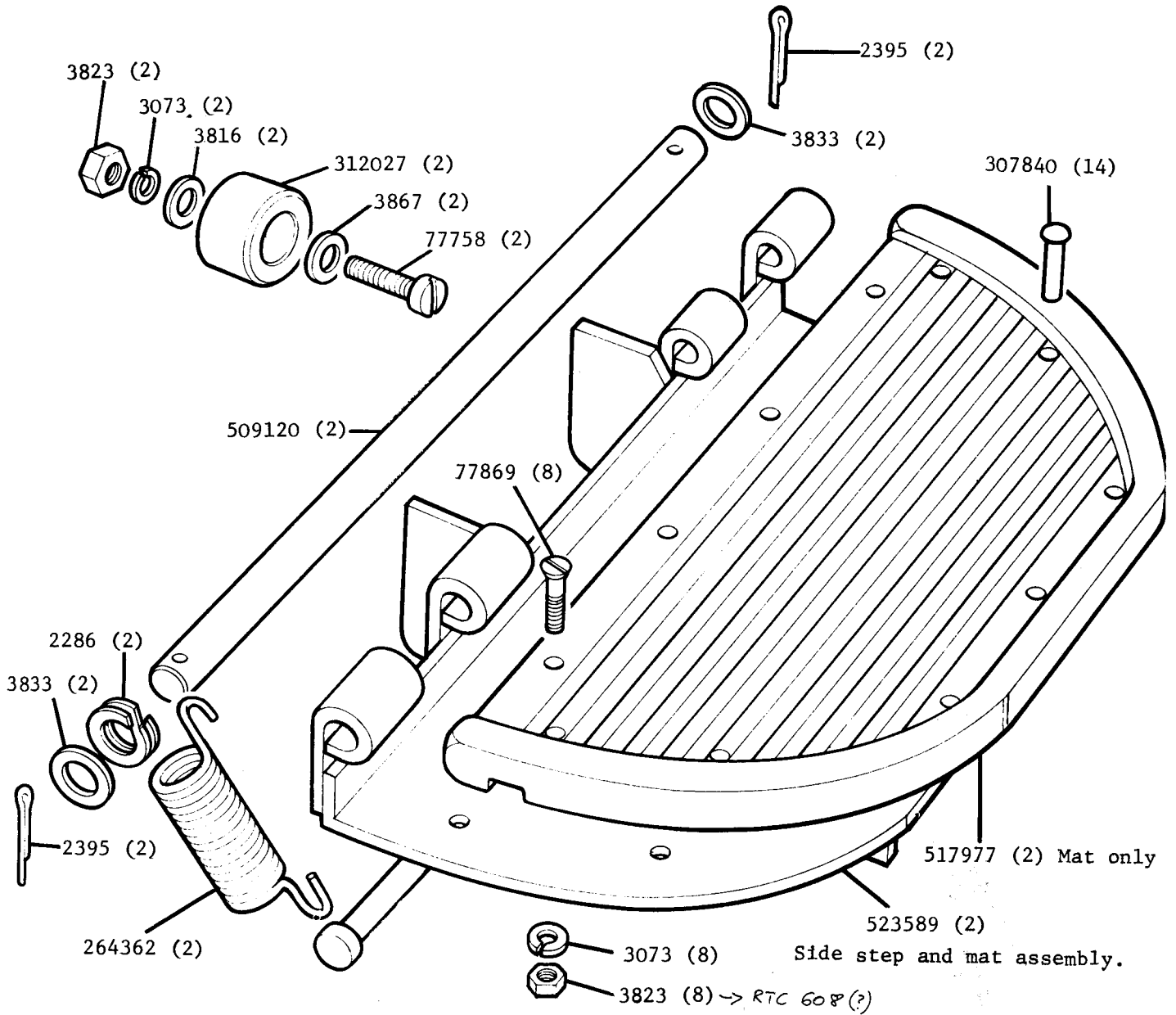
REMARKS

@ 88 in.

@@ 109 in.



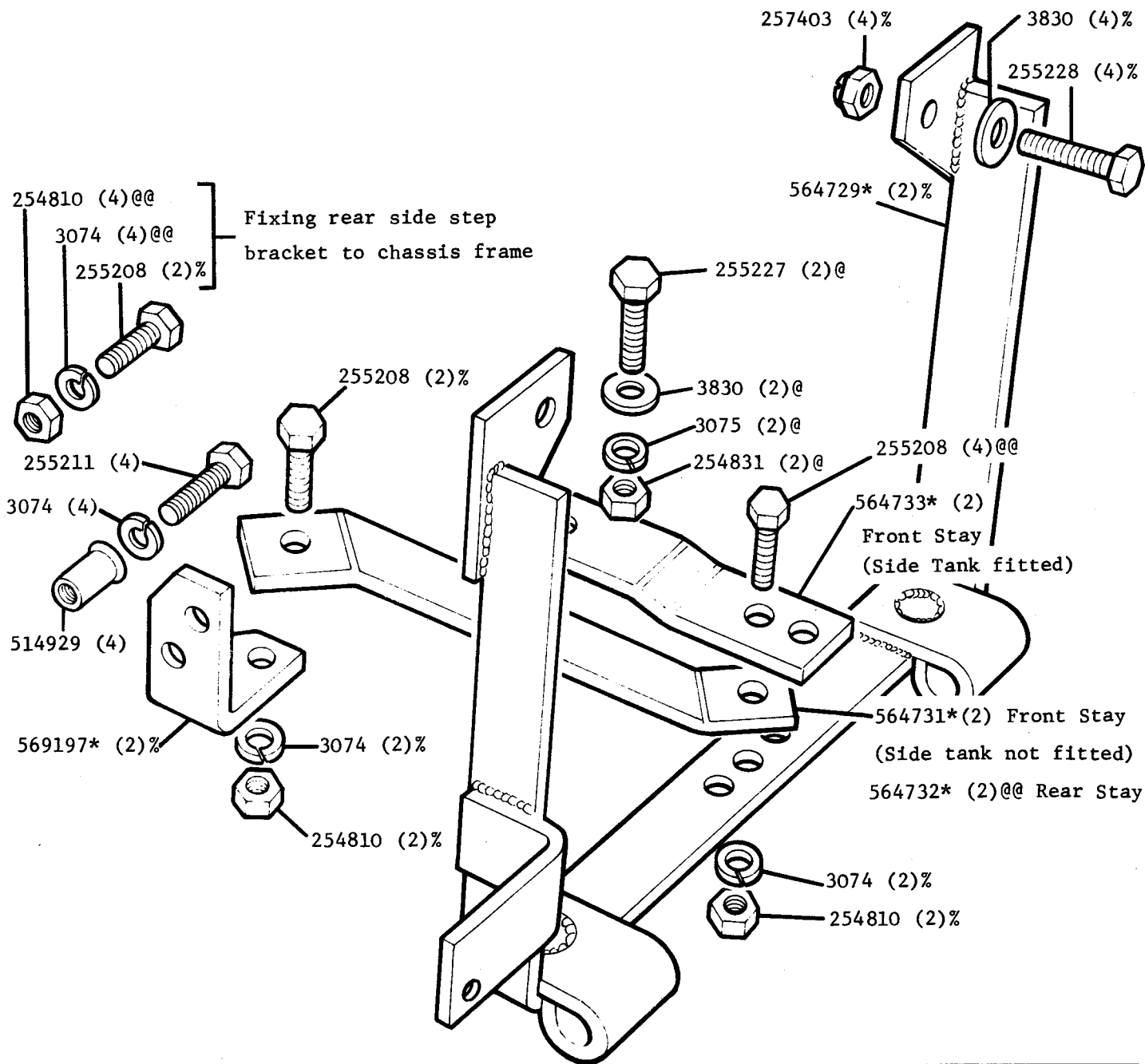
FOLDING STEP FOR SIDE DOORS. SERIES 11A AND 111



REMARKS

Folding Step For Side Door Complete Assembly 606002 (2) 88in and 109in. long  
 (4) 109in Station Wagon  
 Standard fitting on all 12 Seater Station Wagons, optional all others  
 Double quantities for the 109in Station Wagon

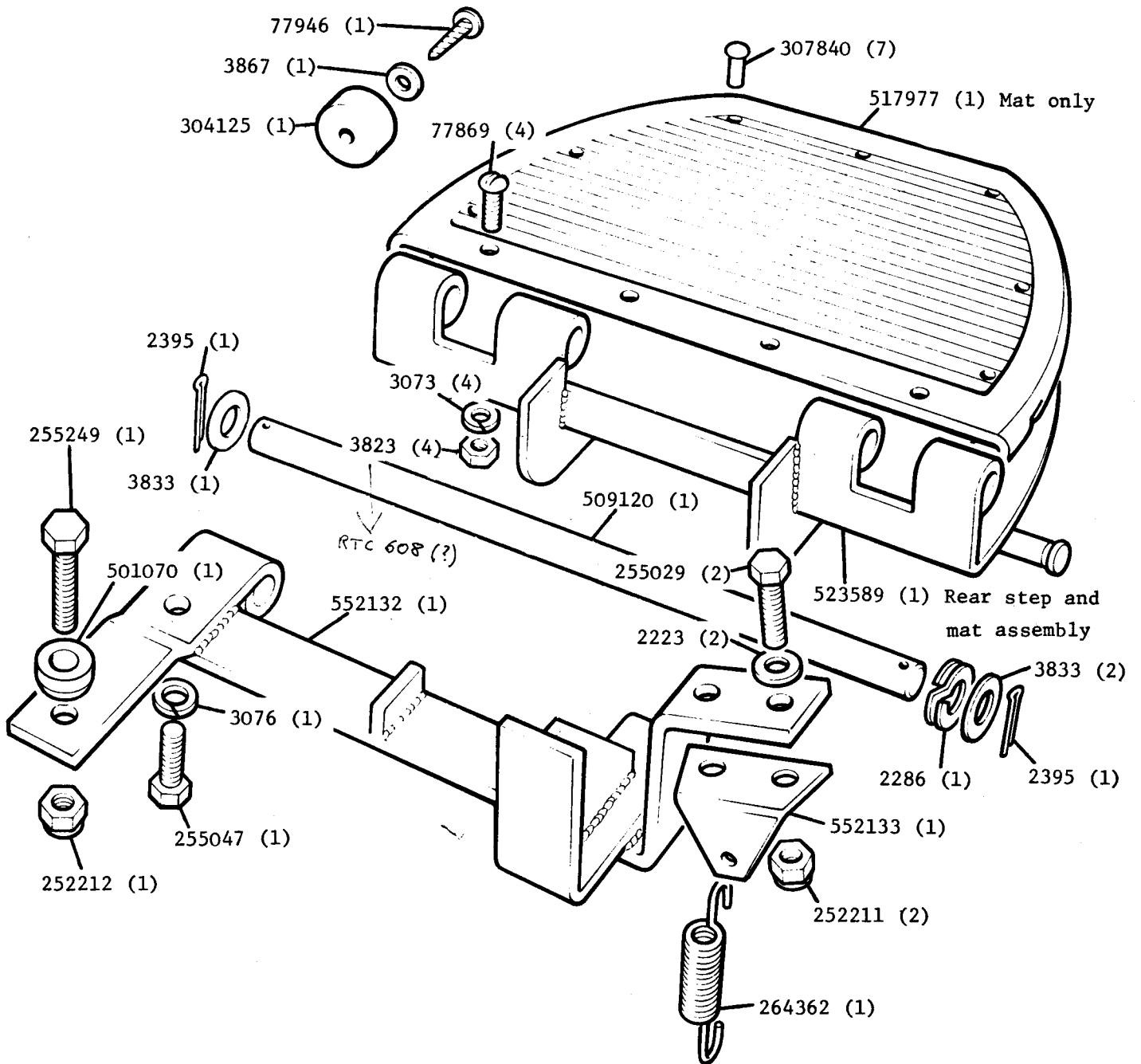
FOLDING STEP FOR SIDE DOORS, BRACKETS AND FIXINGS SERIES 11A AND 111



REMARKS

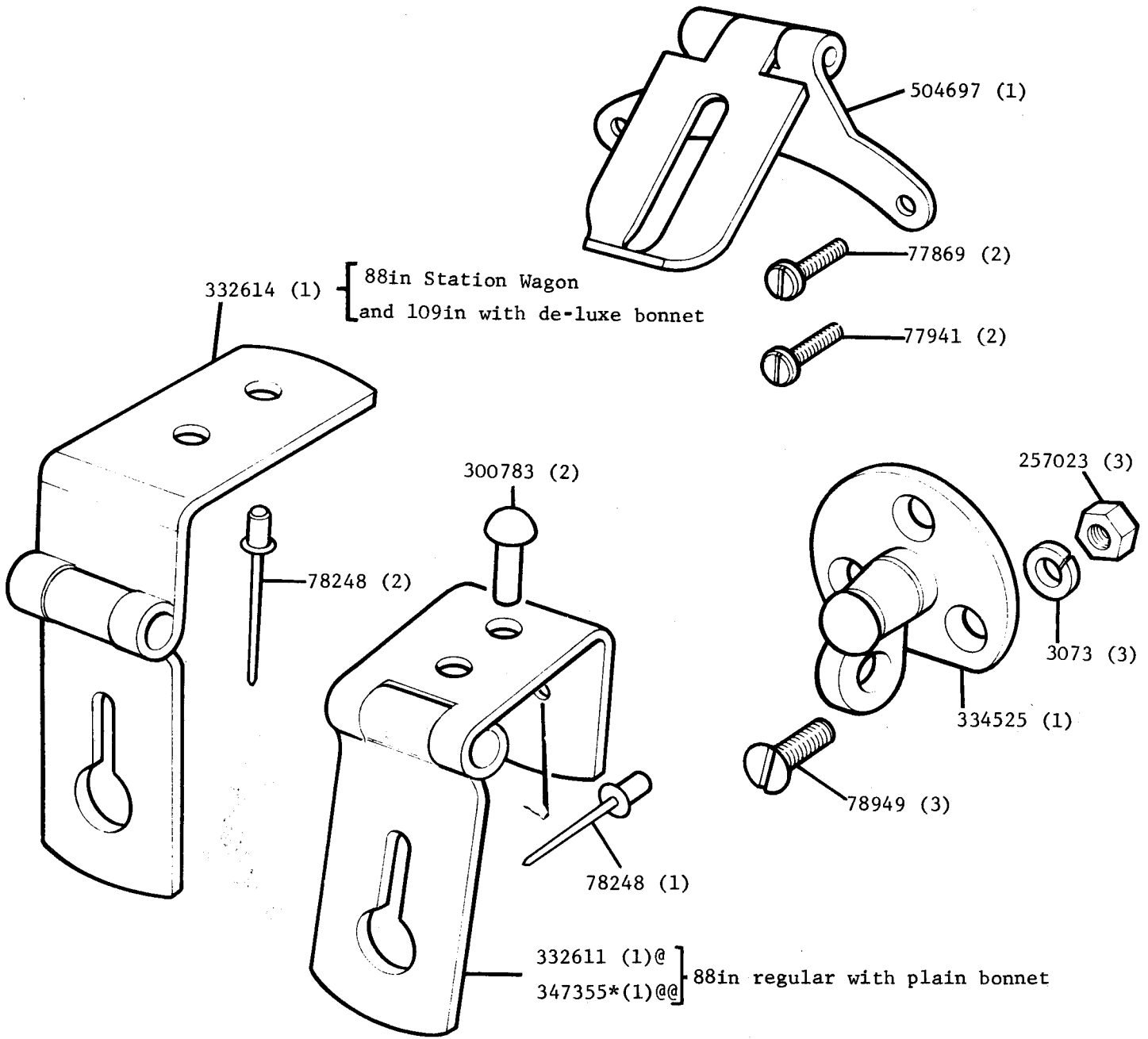
Folding Step For Side Door Complete Assembly 606002 (2)%  
 Standard fitting on all 12 Seater Station Wagons, Optional All others  
 @ 88in and 109in long  
 @@ 109in Station Wagon  
 % Double quantities on the 109in Station Wagon application

REAR FOLDING STEP. SERIES 11A AND 111



REMARKS

Rear Folding Step Assembly 605934 (1) All models except 88in and 109in Station Wagons.  
 Cannot be used in conjunction with Towing Plates 501683 and 606008



REMARKS

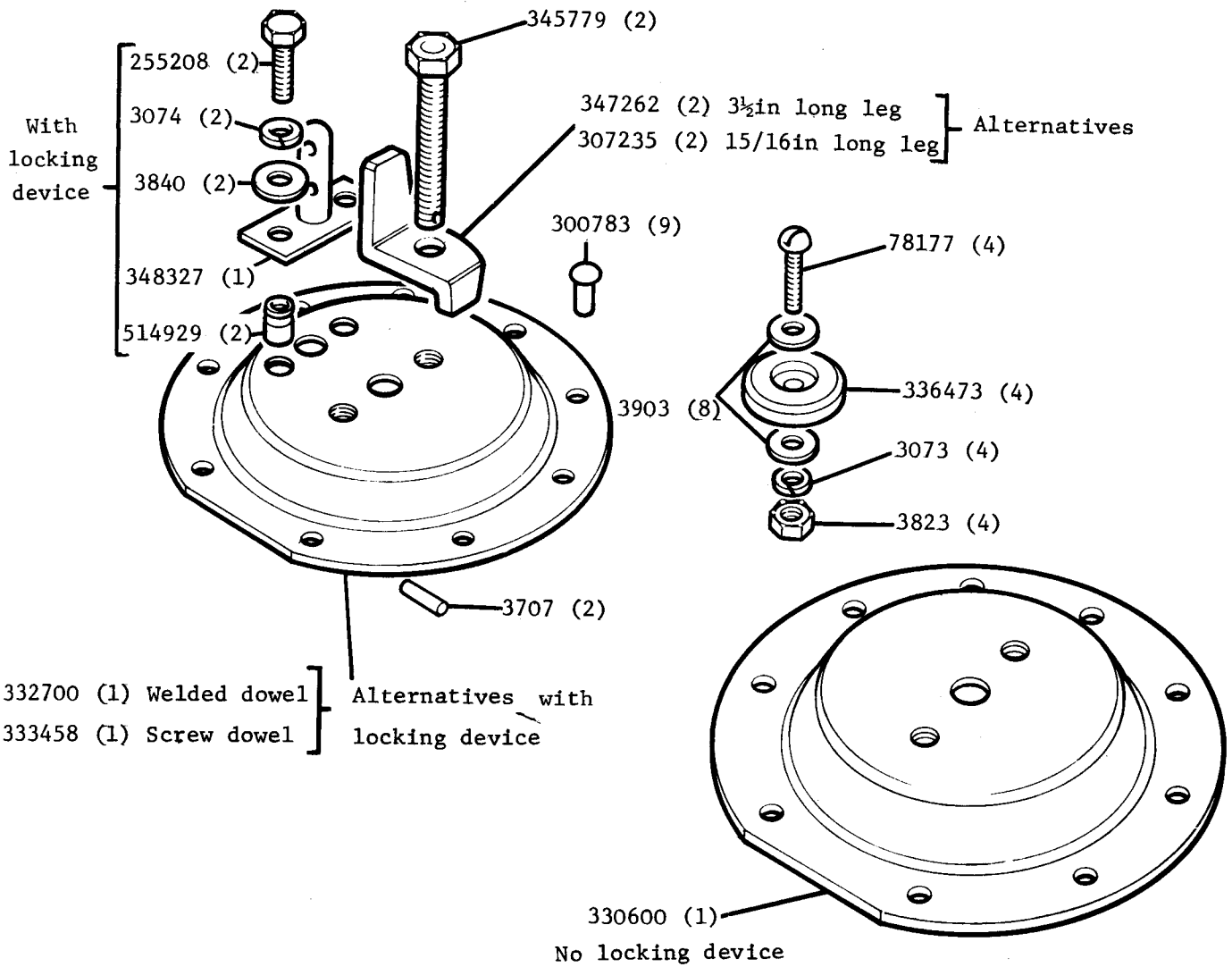
Bonnet locking Device For De-Luxe Bonnet 332969 (1) Except 88in Regular

Bonnet Locking Device For Plain Bonnet 332970 (1)@ } 88in Regular  
320824\* (1)@@ }

@ Series 11A

@@ Series 111

SUPPORT ASSEMBLY FOR SPARE WHEEL. SERIES IIA AND III 88" AND 109" EXCEPT 1 TON  
AND 109" VEHICLES FITTED WITH 9.00 x 15" OR 16" TYRES.

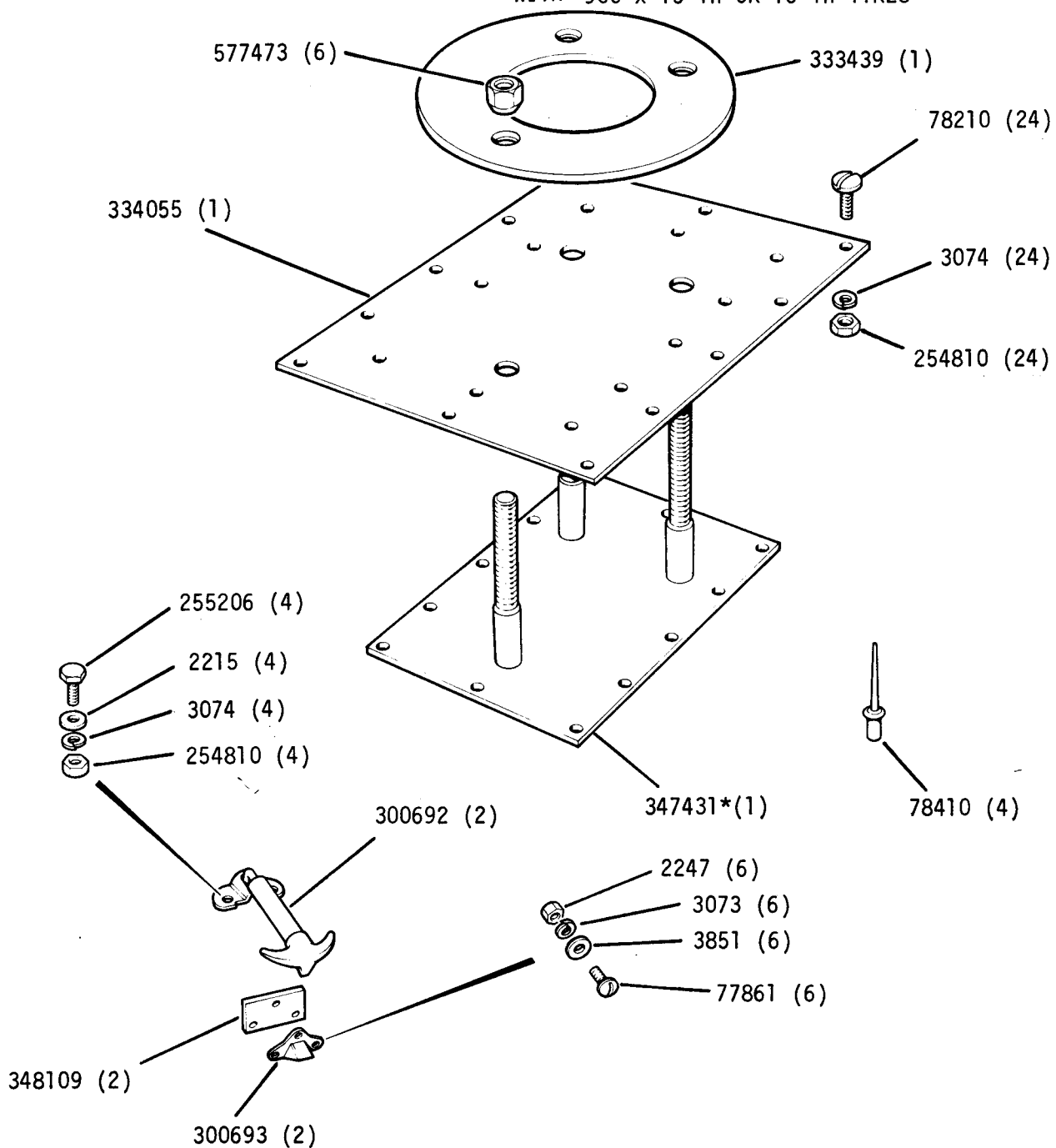


REMARKS

Support Assembly For Spare Wheel 330972 (1) No locking device

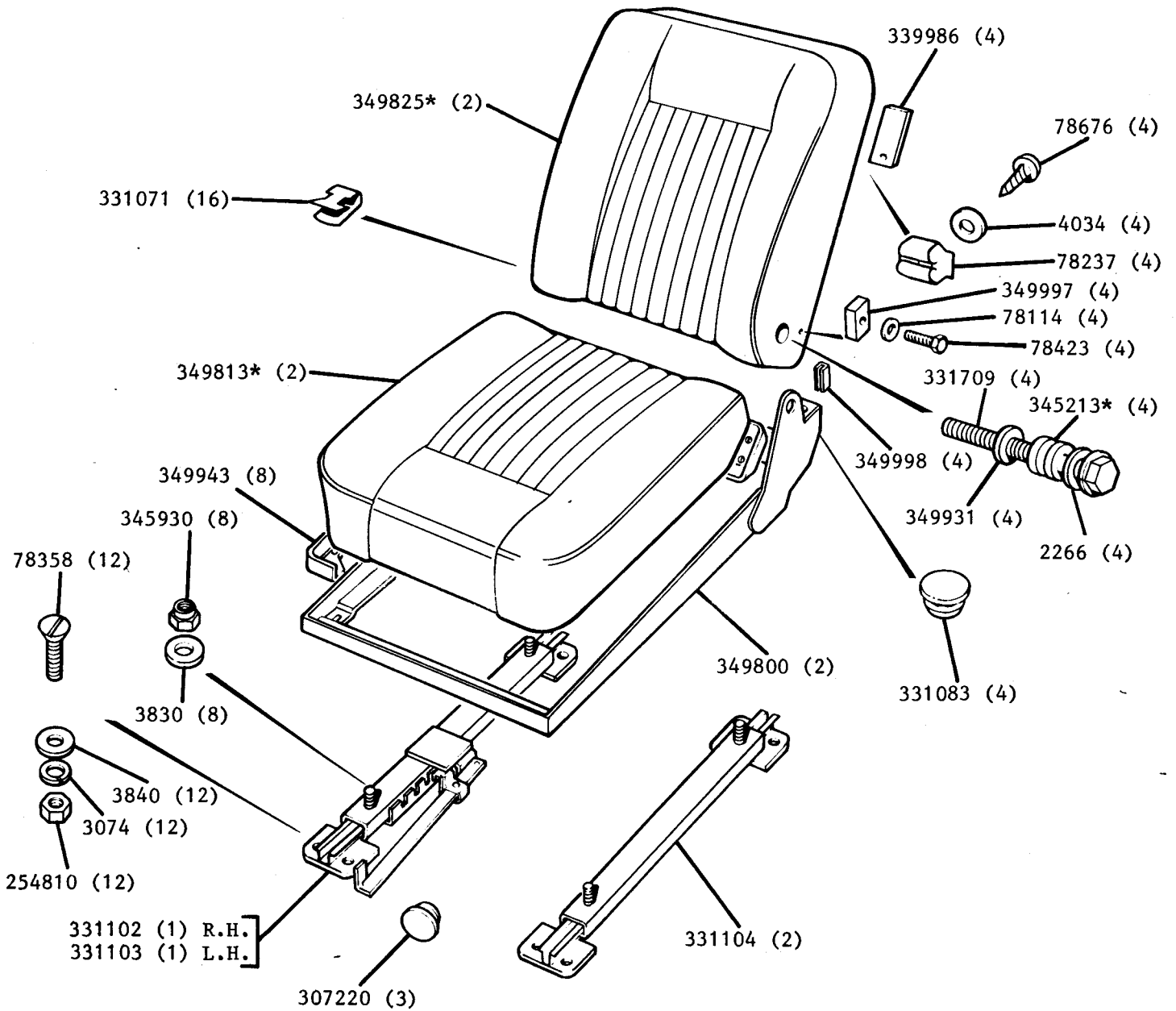
Support Assembly For Spare Wheel 88in 332971 (1) }  
 Support Assembly For Spare Wheel 109in 332972 (1) } With locking device

SUPPORT ASSEMBLY FOR SPARE WHEEL ON BONNET SERIES III 1 TON AND 109 in VEHICLES FITTED WITH 900 x 15 in OR 16 in TYRES



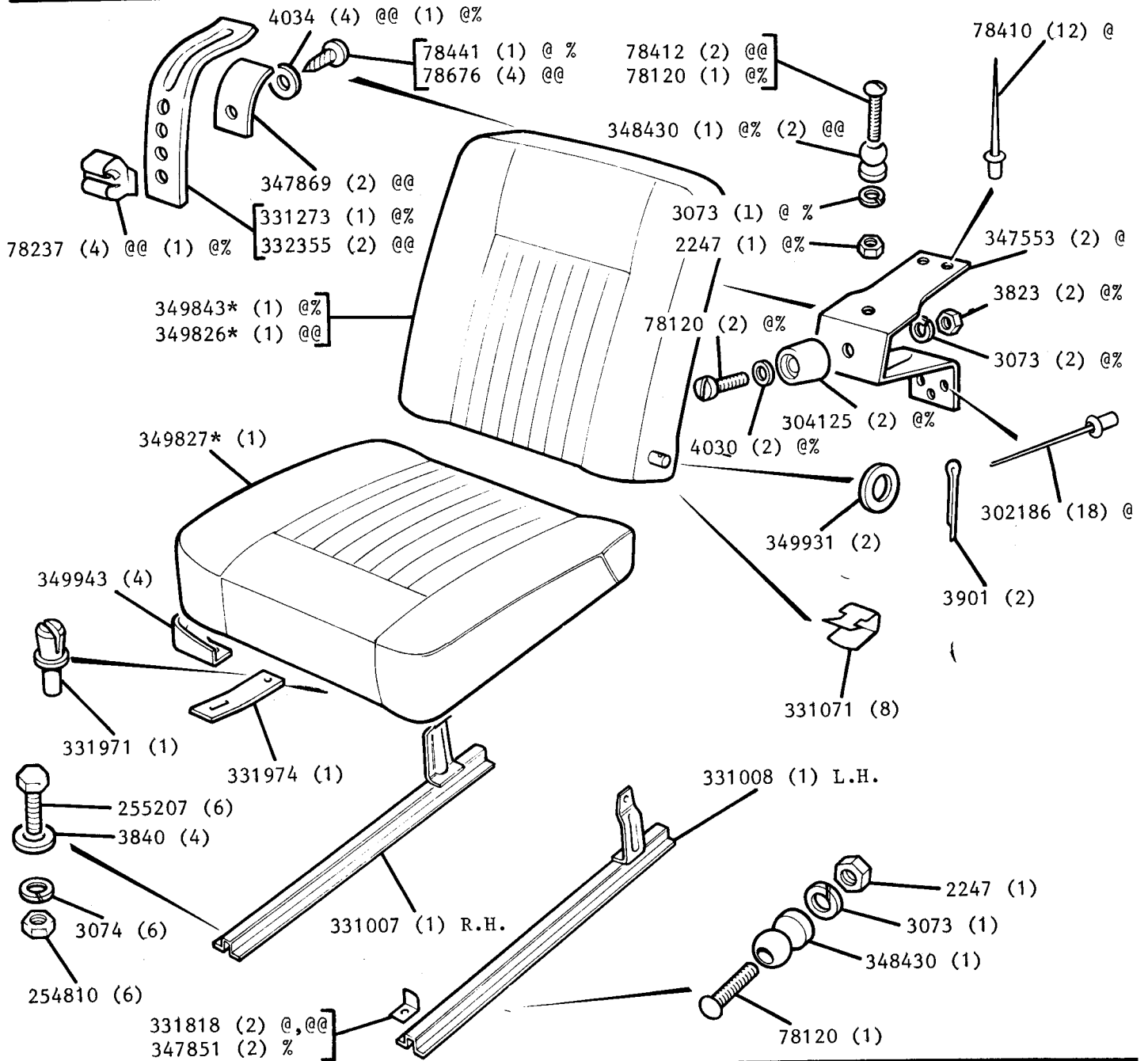
REMARKS  
 Support Assembly for Spare Wheel 607717 (1)

DE-LUXE FRONT OUTER AND DRIVER SEAT SERIES IIA AND III



REMARKS

DE-LUXE FRONT CENTRE SEAT SERIES IIA AND III

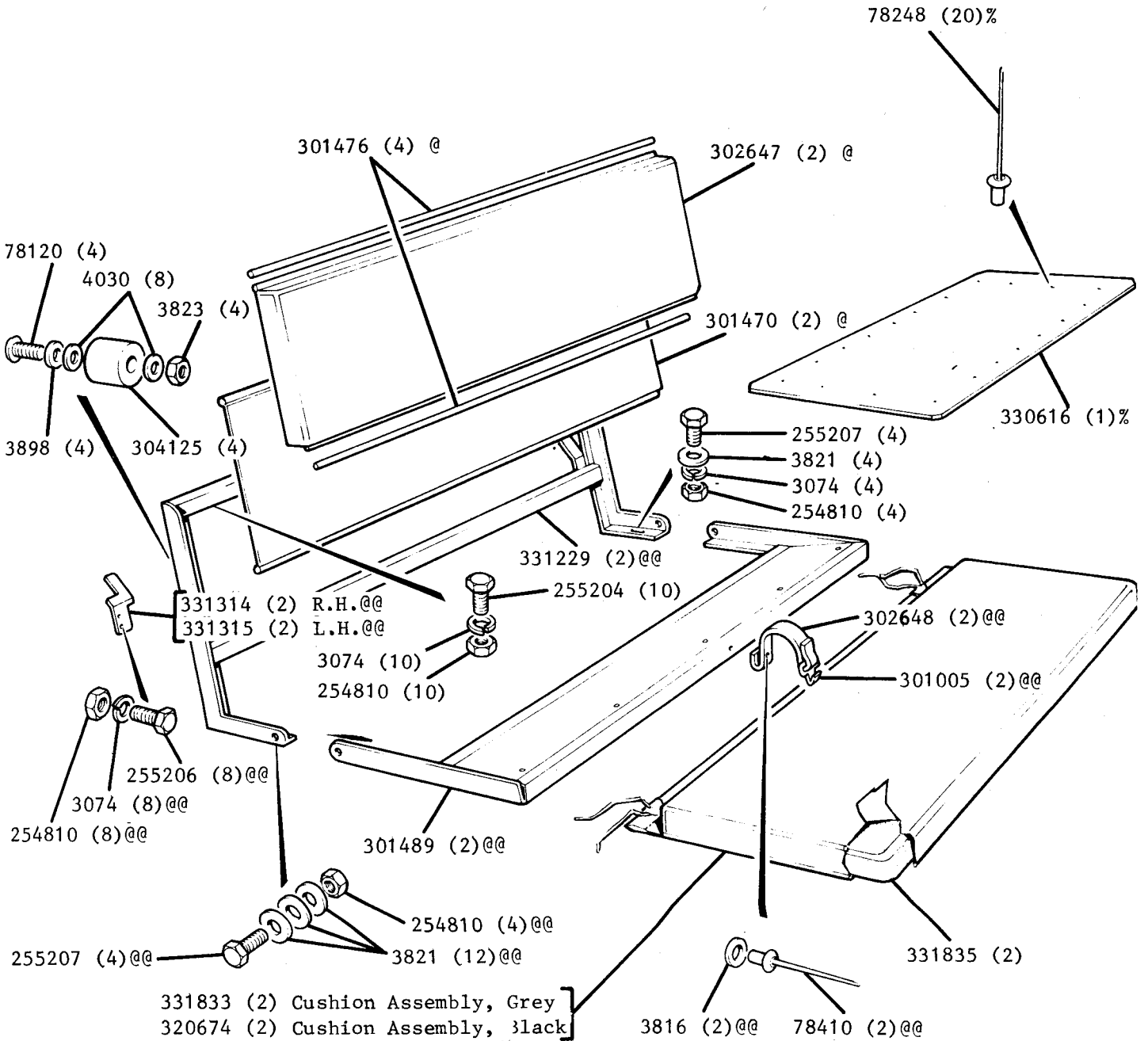


REMARKS

@ 109" long  
 @@ 109" Station Wagon  
 % 88"



REAR SEATS, SERIES IIA AND III

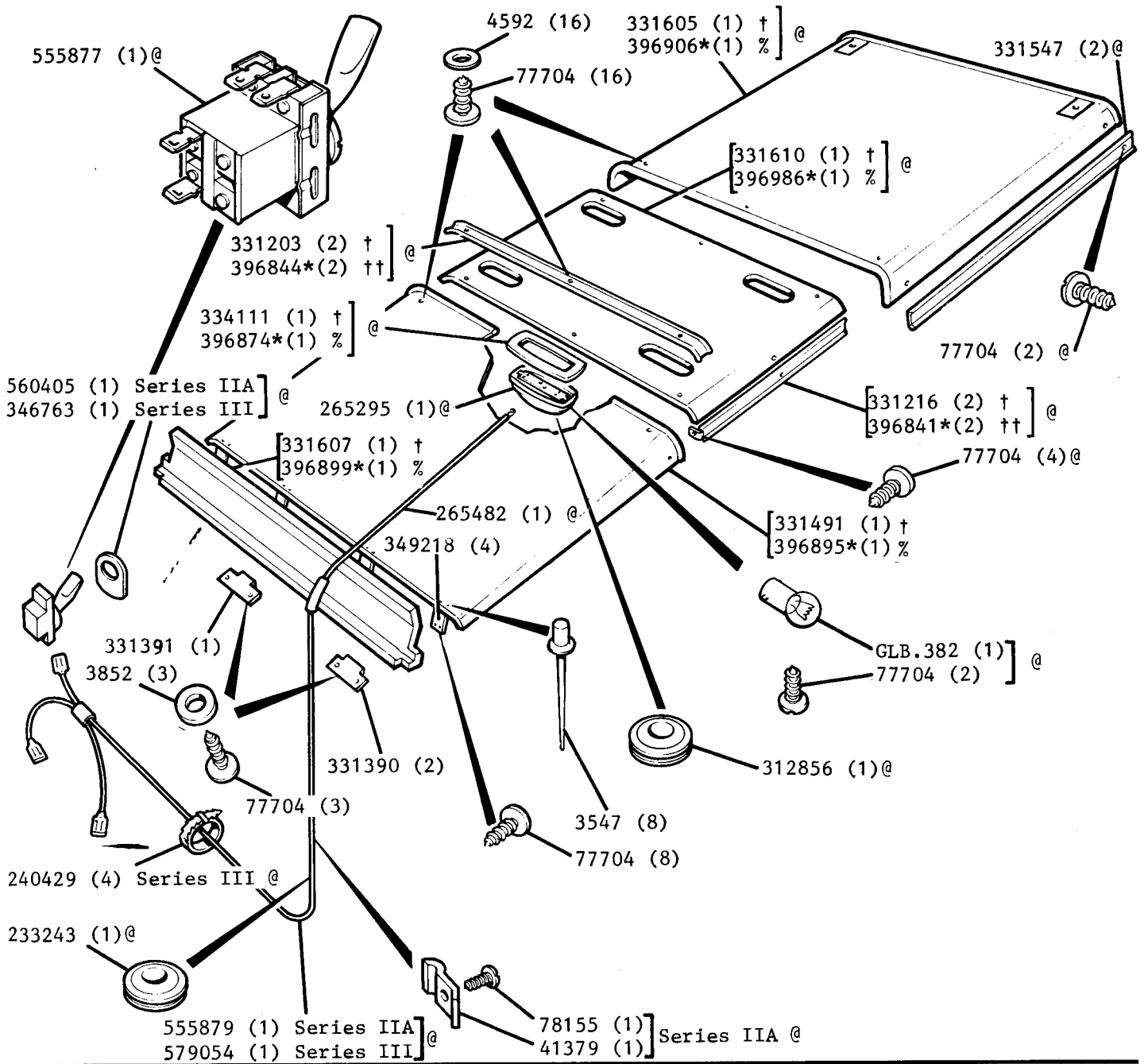


REMARKS

Rear Seat Complete Assembly, Grey, 330969 (2)  
 Rear Seat Complete Assembly, Black, 320737 (2)  
 Backrest Assembly, Grey 320084 (2)  
 Backrest Assembly, Black 320673 (2) } Items marked @ are part of these assemblies.  
 Seat Frame Complete Assembly, 331228 (2) Items marked @@ are part of this assembly.  
 % 109 in with 4 seats  
 The quantities on this frame are for 2 seats as fitted to 88" models.  
 109" models fitted with 4 seats should double the above quantities.



HARD TOP ROOF TRIM, SERIES IIA AND III 109"



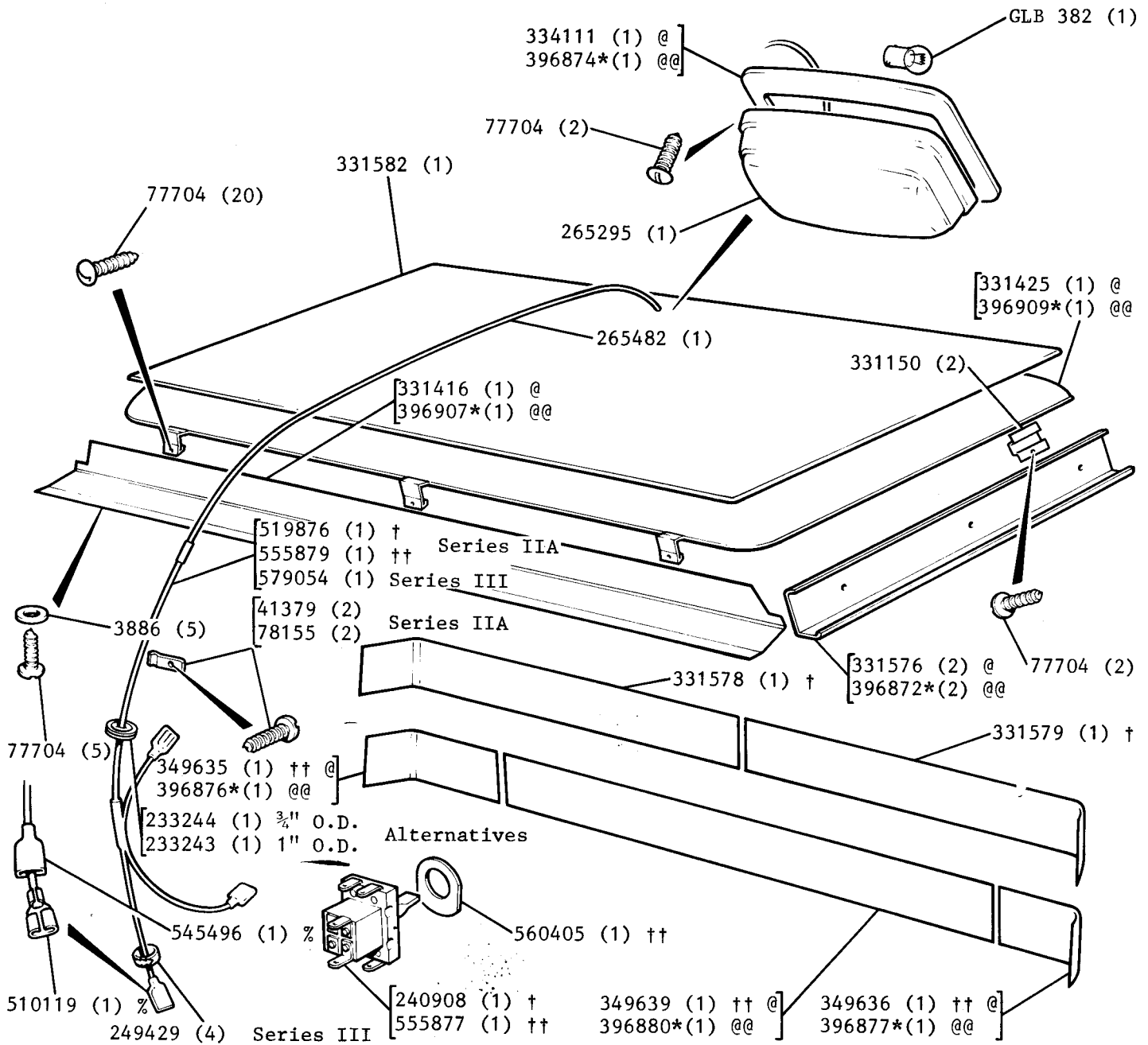
REMARKS

@ Station Wagon Type Roof Only.

† White

†† Limestone

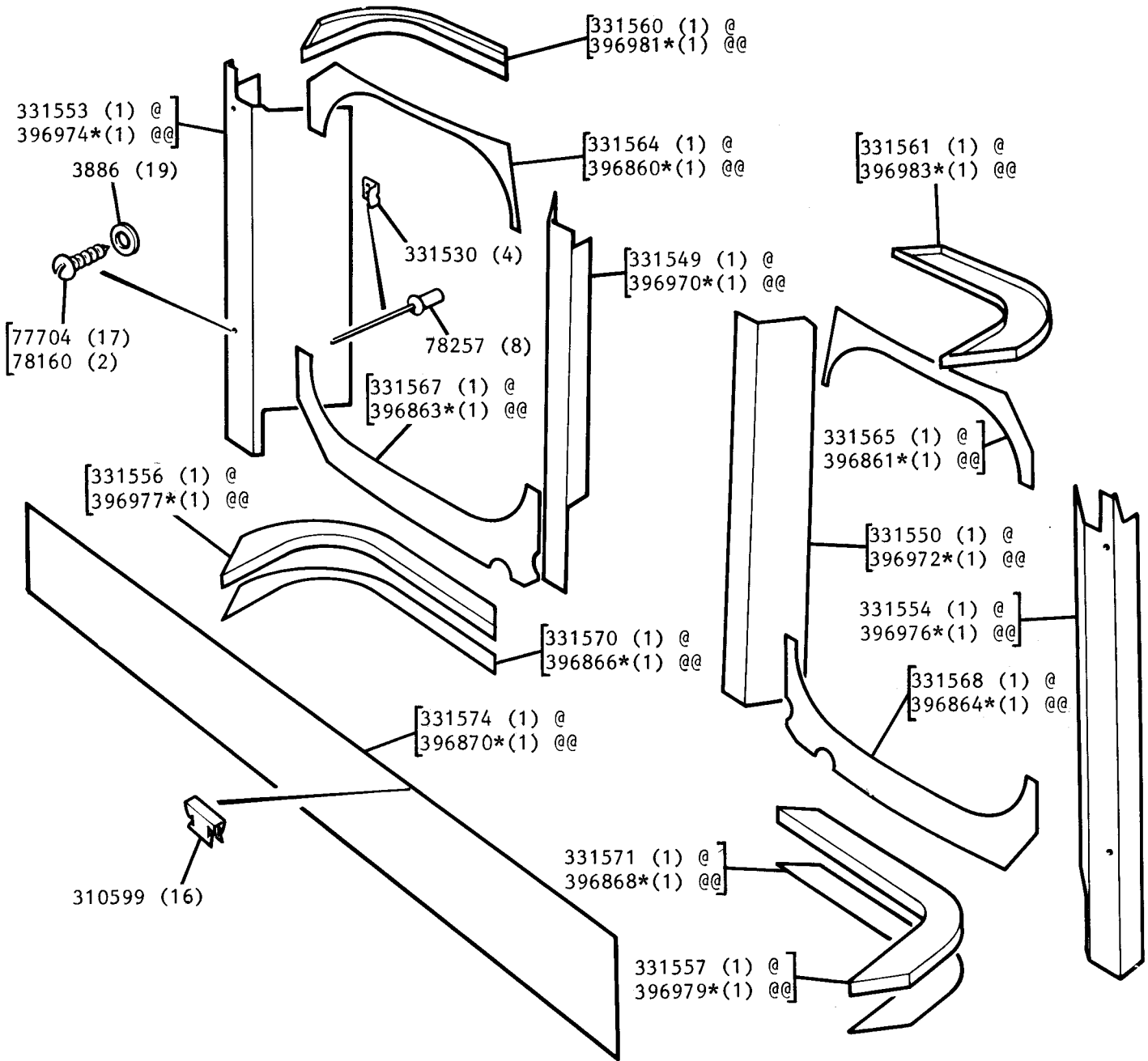
% Oatmeal



REMARKS

- Truck Cab Upper Trim Kit 332956 (1) †
- Truck Cab Upper Trim Kit 320624 (1) †† @
- Truck Cab Upper Trim Kit 320895\*(1) @@
- @ White trim
- @@ Oatmeal trim
- † Up to vehicle suffix 'C' inclusive
- †† From vehicle suffix 'D' onwards
- % For L.H. Stg vehicles the cable is cut to length and these items fitted

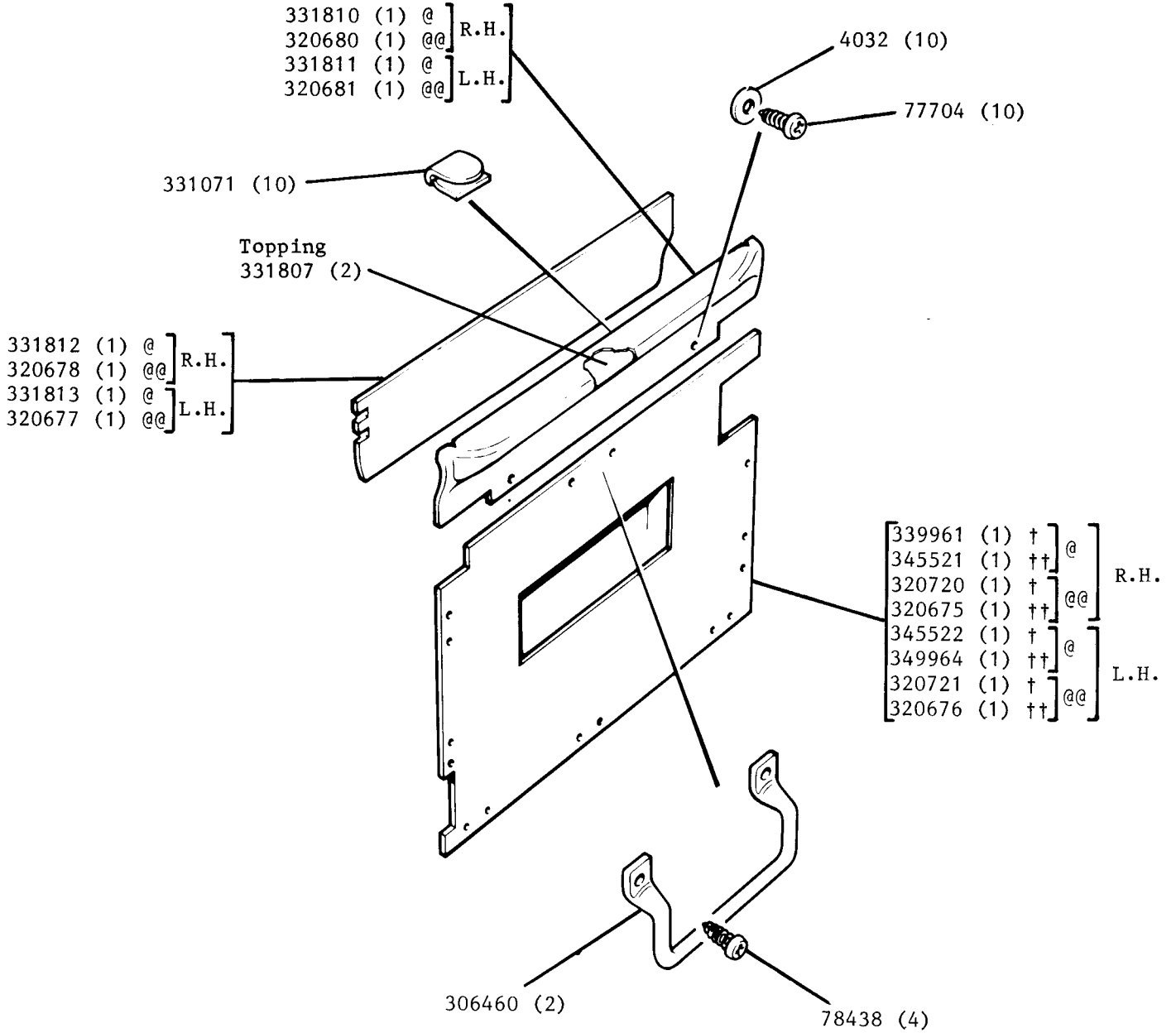
TRUCK CAB REAR PANEL TRIM, SERIES IIA AND III



REMARKS

Truck Cab Upper Trim Kit 332956 (1) Up to vehicle suffix 'C' inclusive ] @  
 Truck Cab Upper Trim Kit 320624 (1) From vehicle suffix 'D' onwards ] @  
 Truck Cab Upper Trim Kit 320895\*(1) @@  
 @ White  
 @@ Oatmeal

DOOR TRIM FOR FLOOR AND DOOR TRIM, SERIES IIA



REMARKS

@ Grey

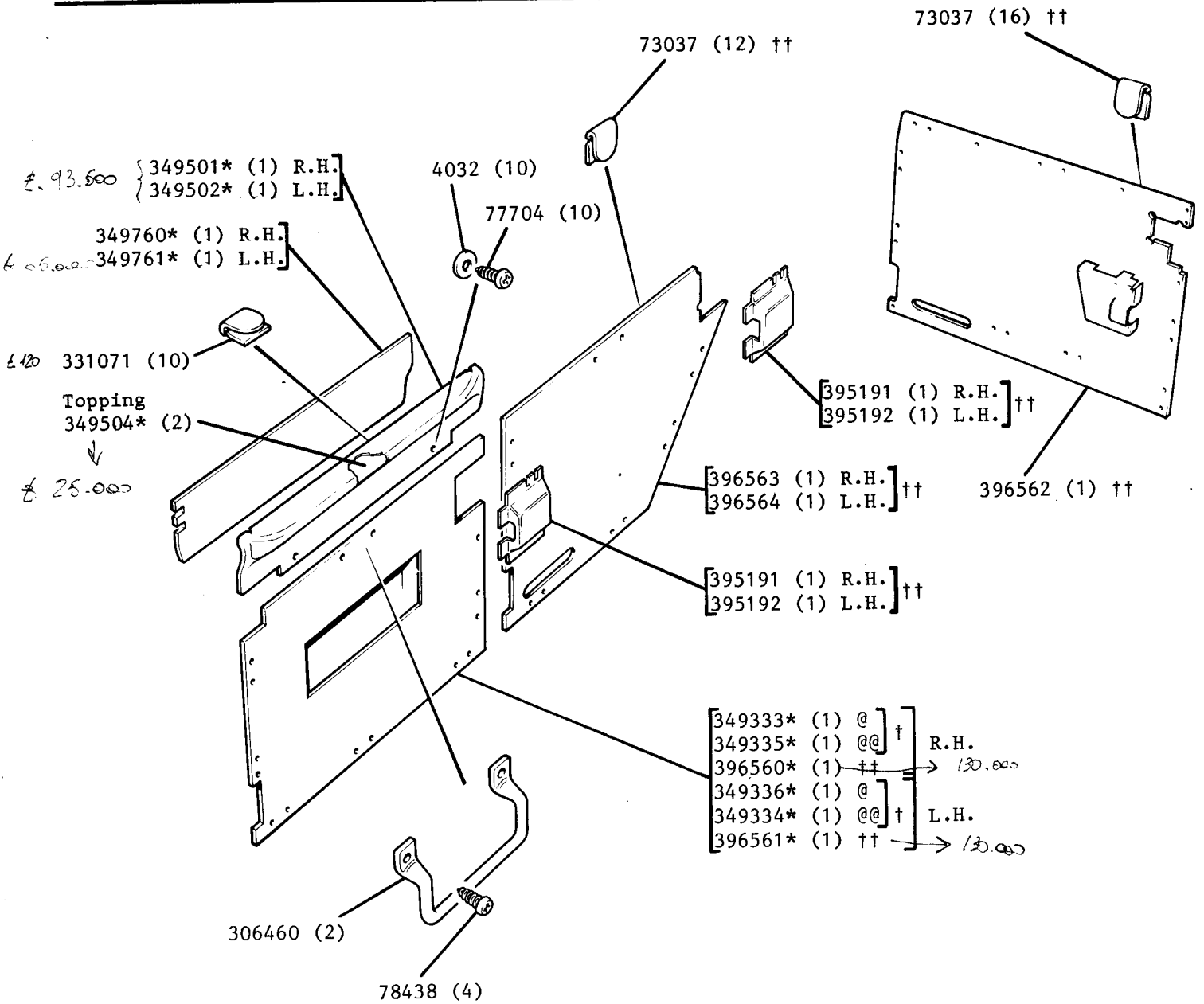
@@ Black

† R.H. Stg

†† L.H. Stg

Floor and Door Trim Kit	332958	(1)	@	†	} 2 1/4		
Floor and Door Trim Kit	320731	(1)	@@	†			
Floor and Door Trim Kit	332986	(1)	@	††			
Floor and Door Trim Kit	320732	(1)	@@	††			
Floor and Door Trim Kit	320660	(1)	@				
Floor and Door Trim Kit	320733	(1)				Up to vehicle suffix F inclusive	
Floor and Door Trim Kit	606281	(1)				From vehicle suffix G onwards	
Floor and Door Trim Kit	320661	(1)	@				
Floor and Door Trim Kit	320734	(1)				Up to vehicle suffix F inclusive	
Floor and Door Trim Kit	606282	(1)				From vehicle suffix G onwards	
							2.6

DOOR TRIM FOR FLOOR AND DOOR TRIM, SERIES III



REMARKS

@ R.H. Stg

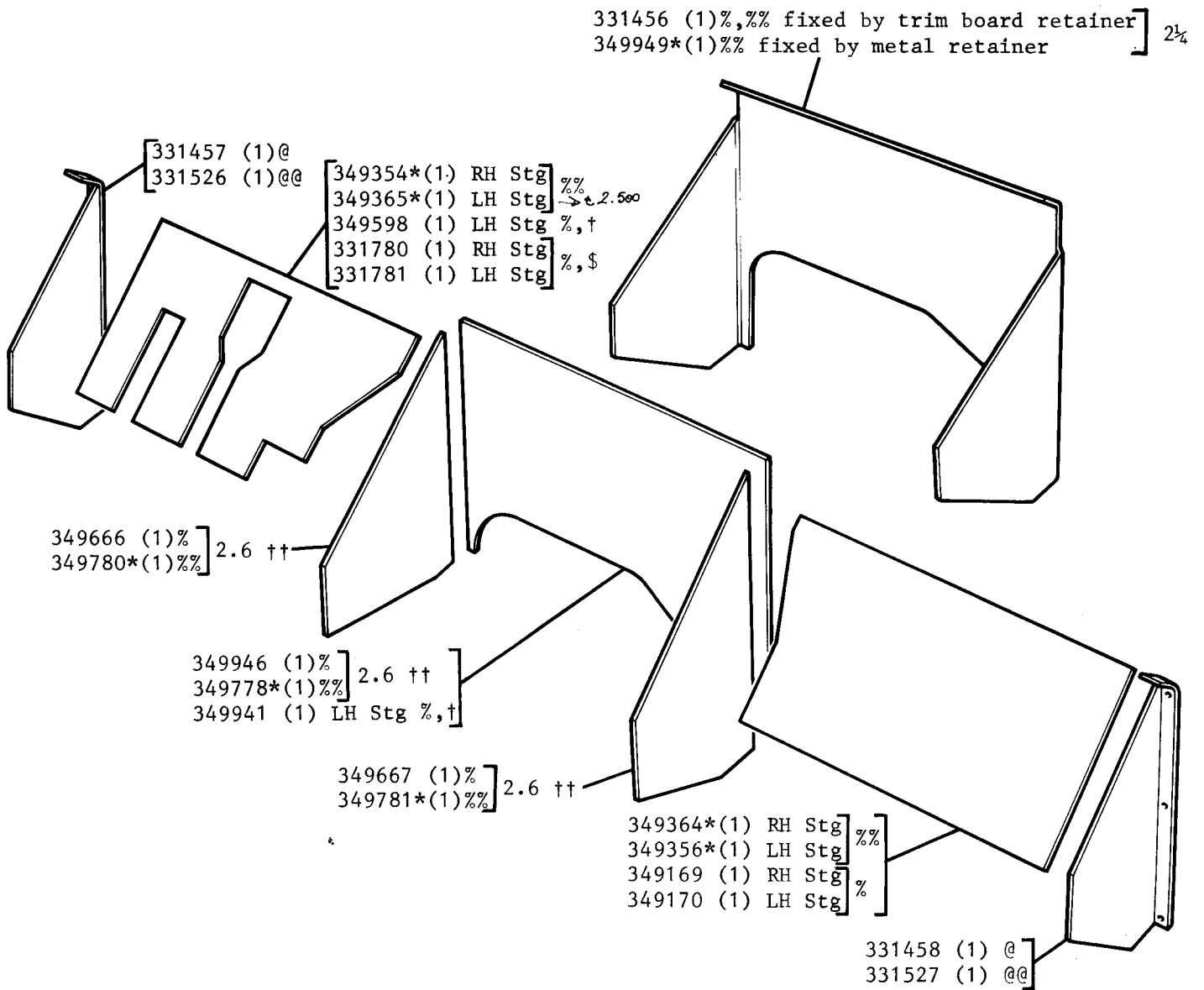
@@ L.H. Stg

† Series III without anti-burst door locks

†† Series III with anti-burst door locks

Floor and Door Trim Kit 320764 (1) @ ] 2.4  
 Floor and Door Trim Kit 320765 (1) @@ ]  
 Floor and Door Trim Kit 320761 (1) @ ] 2.6  
 Floor and Door Trim Kit 320762 (1) @@ ]

DASH COVERING FOR FLOOR AND DOOR TRIM, SERIES IIA AND III

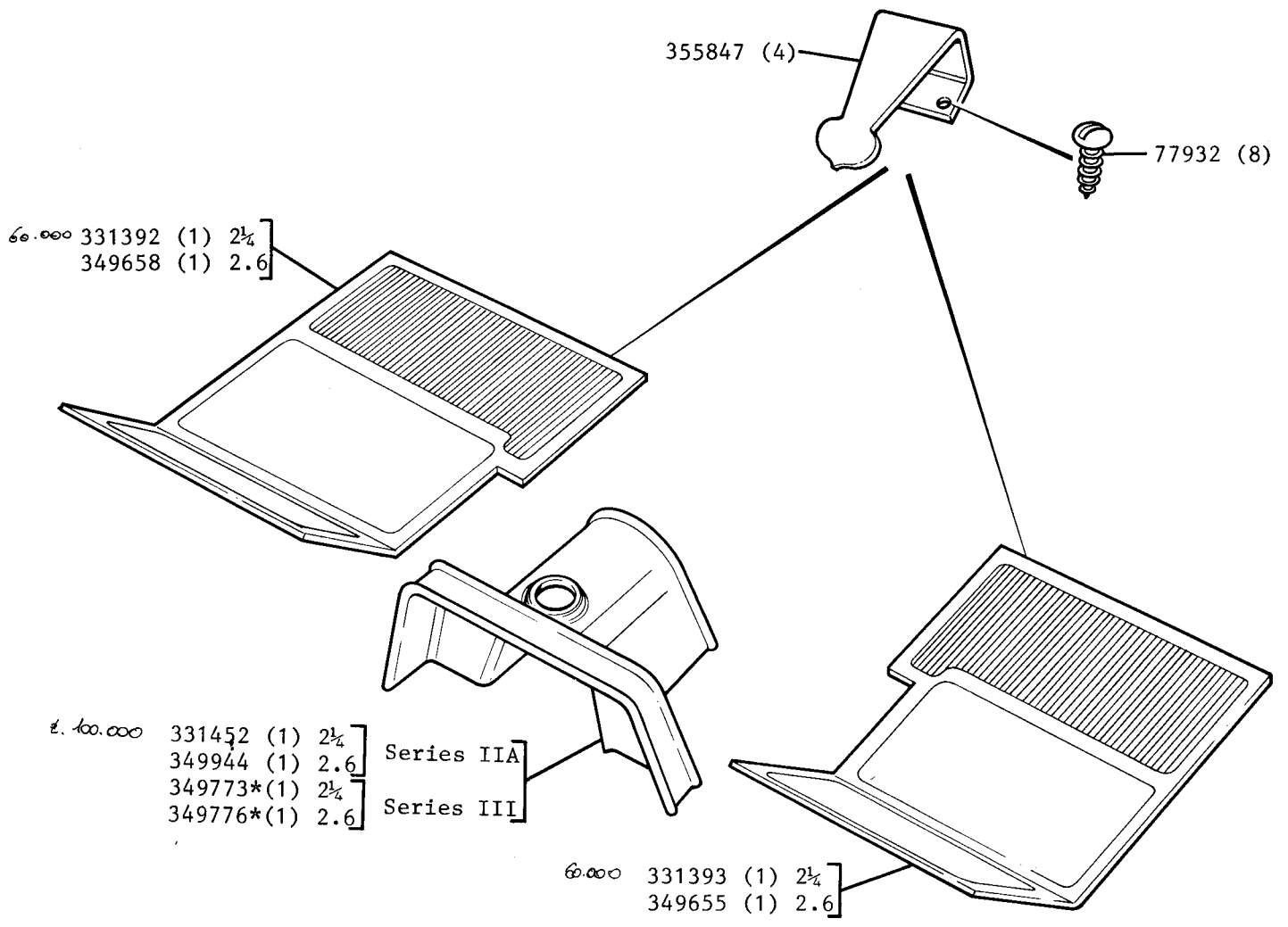


REMARKS

- @ All except Series IIA LH Stg models
- @@ Series IIA LH Stg models
- † With fresh air heater
- †† No fresh air heater
- % Series IIA
- %% Series III
- \$ 2.6 up to vehicle suffix 'F' inclusive and 2½

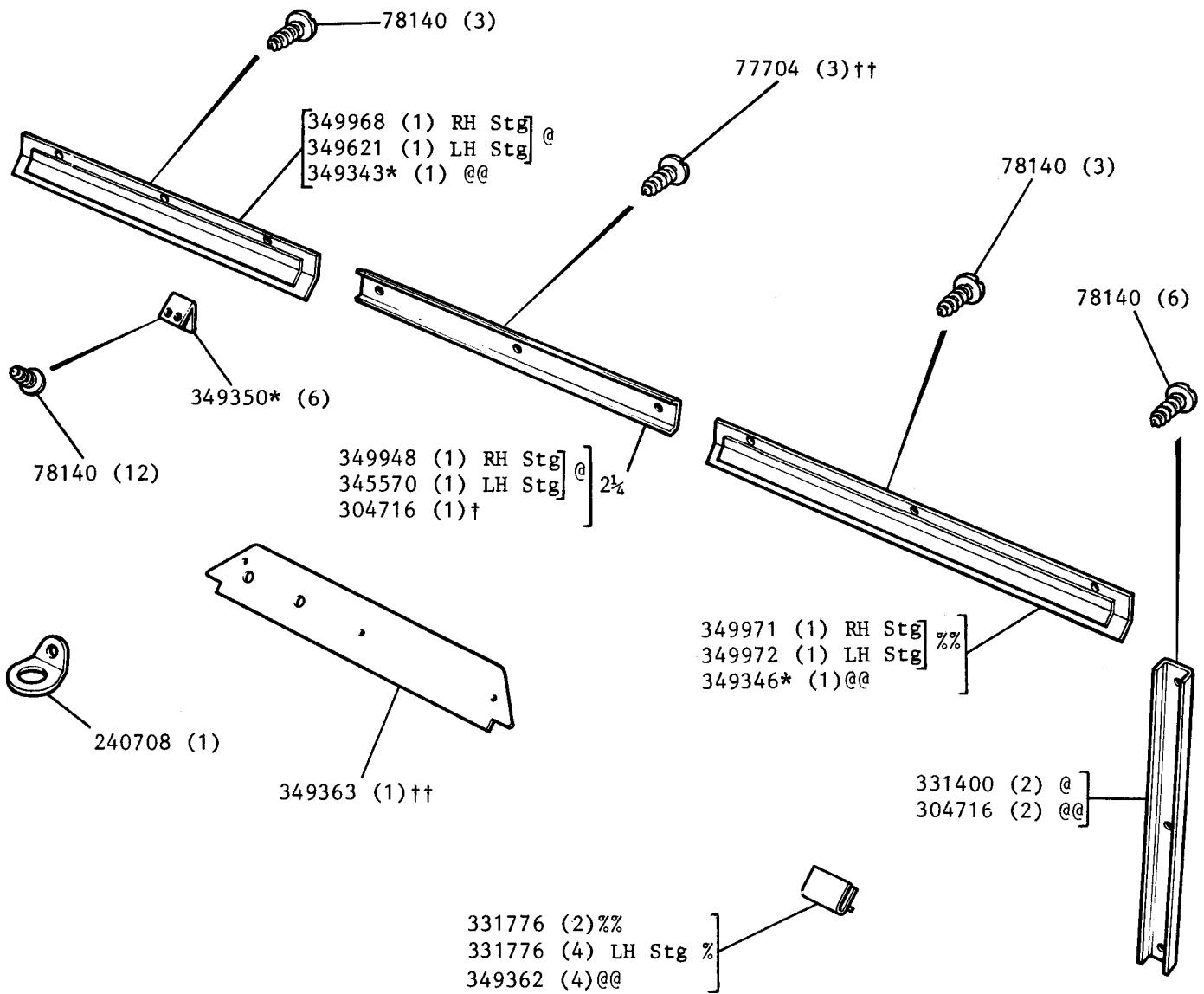


GEARBOX COVER AND FRONT FLOOR MATS FOR FLOOR AND DOOR TRIM      SERIES IIA AND III



REMARKS

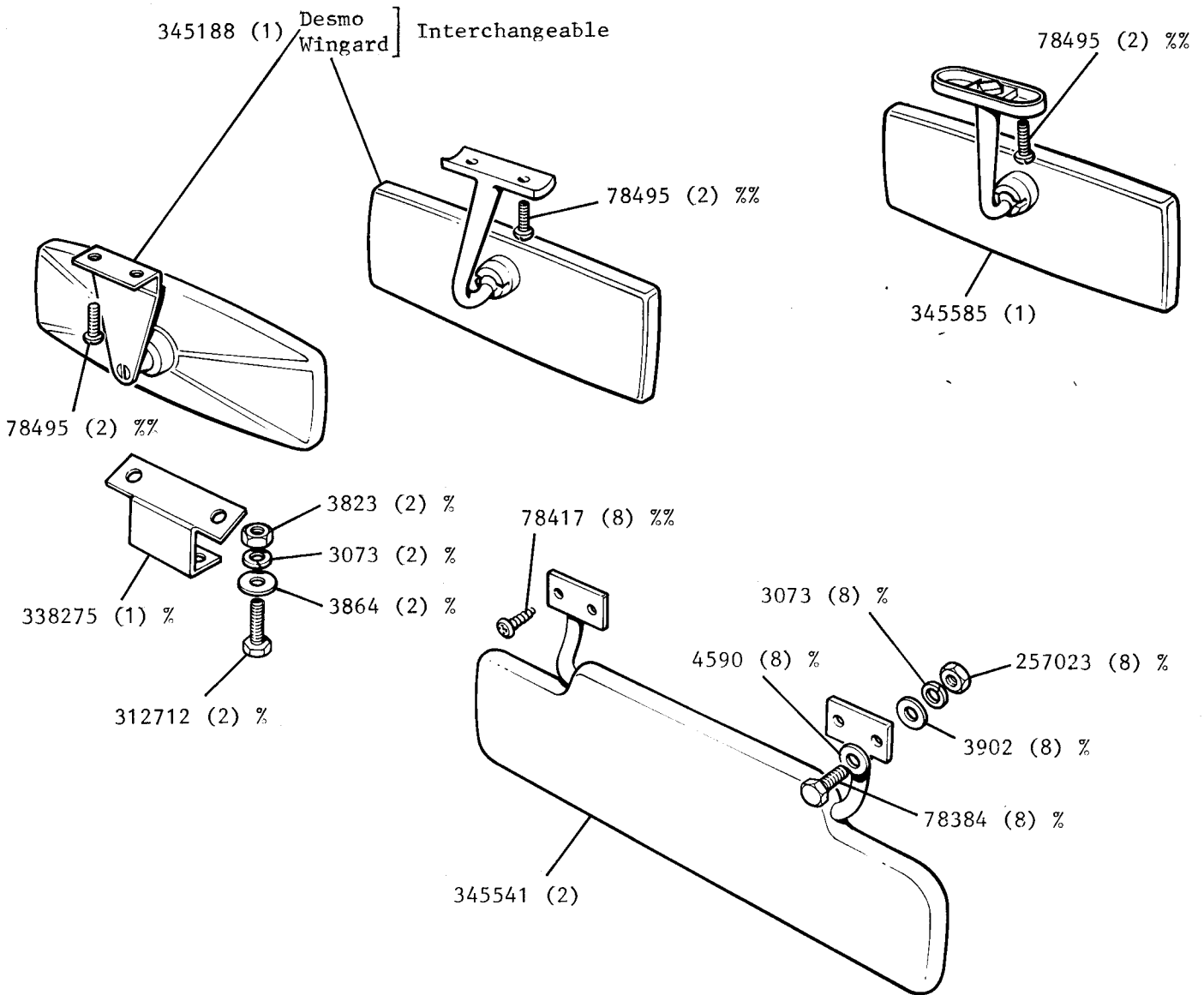
RETAINERS FOR FLOOR AND DOOR TRIM, SERIES IIA AND III



REMARKS

- @ Series IIA
- @@ Series III
- % Series IIA Fitted with fresh air heater
- %% Series IIA no fresh air heater fitted
- † 2½ with metal retainer
- †† 2½ with trim board retainer

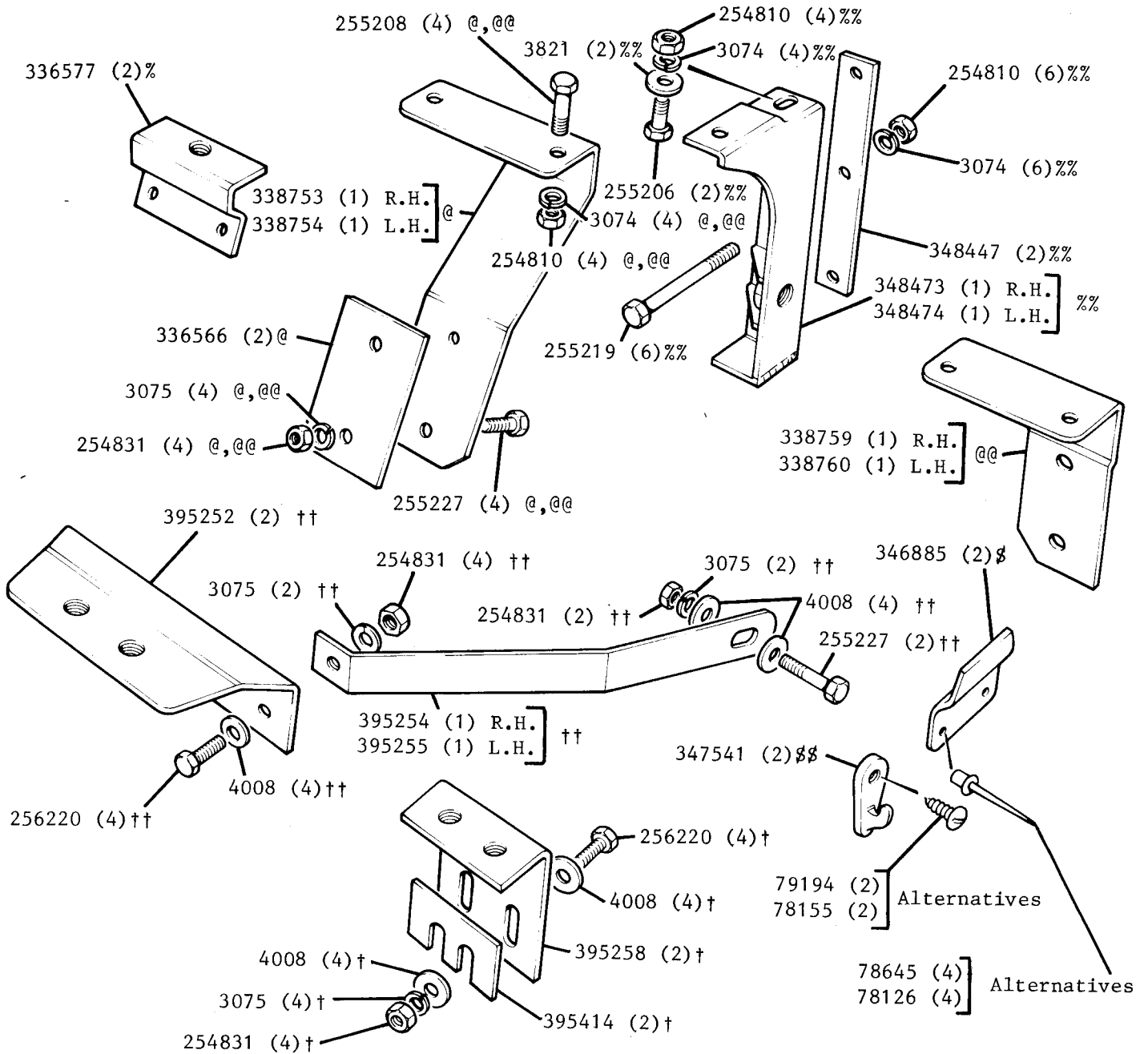
INTERIOR SUN VISOR AND INTERIOR DRIVING MIRROR, PLAIN AND SNAP STEM TYPE. SERIES IIA AND III.



REMARKS

Interior Sun Visor Kit 320849\* (1)  
 Interior Mirror Kit 320833\* (1)  
 Standard fitting for all Station Wagons, Home and Export, all Export Hard Tops and Cabs  
 excluding Holland and Sweden.  
 Interior Mirror, Snap Stem, Kit. 320834\* (1)  
 Standard fitting for French, German and U.S.A. vehicles  
 % Untrimmed vehicles  
 %% De-luxe trimmed vehicles

FRONT SAFETY HARNESS ANCHORAGES, PART I SERIES IIA AND III



REMARKS

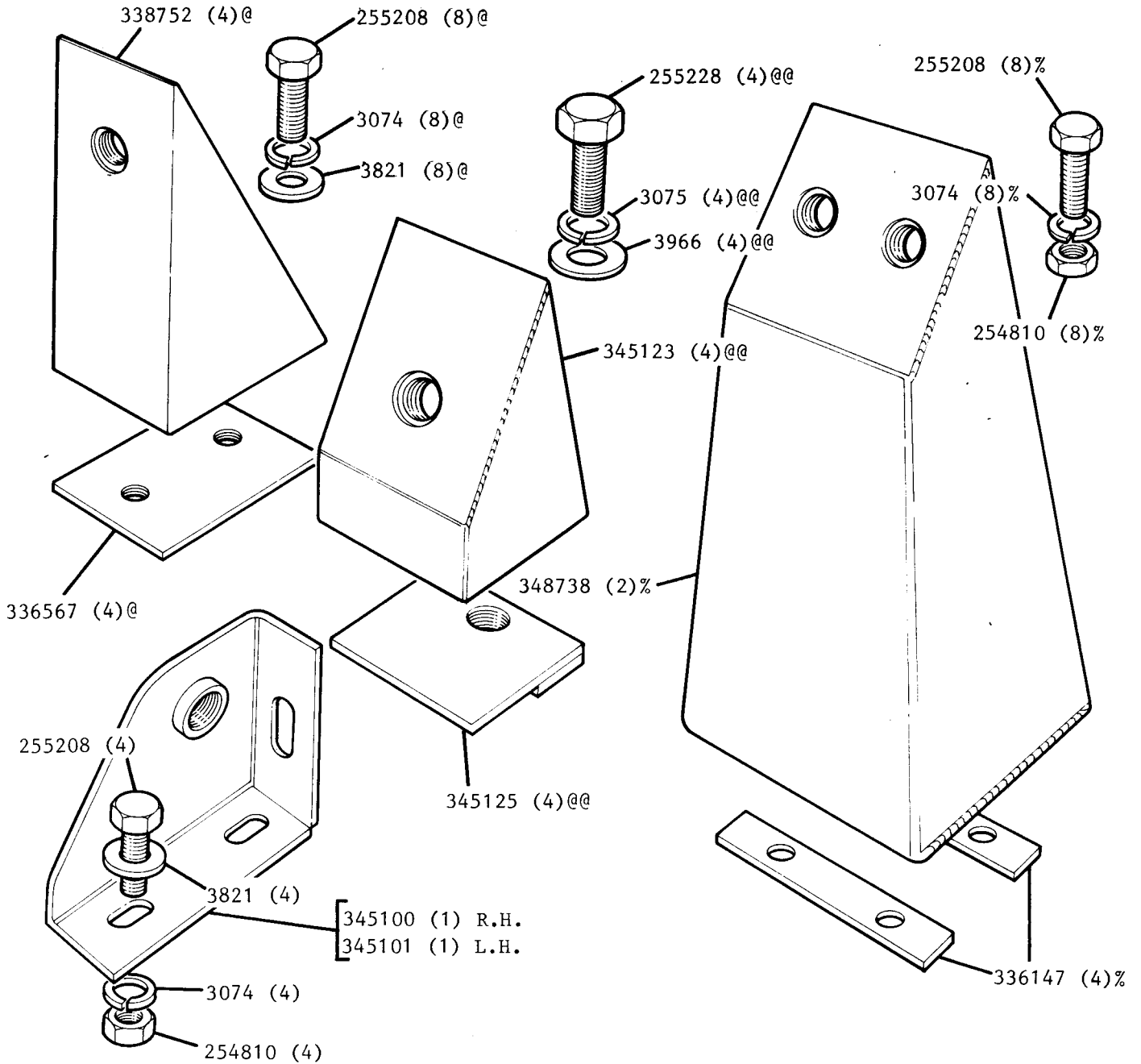
@ 88" Without Truck Cab  
 @@ 109" With Full Hood or Hard Top } Up to vehicle Suffix 'D'  
 % 109" With Truck Cab  
 %% 109" Station Wagon. Up to July 1972  
 § For Irvin Safety Harness  
 §§ For Britax Safety Harness  
 † 88"  
 †† 109" } From August 1972

Anchorage Kit R.H. 320635 (1) ] @  
 Anchorage Kit L.H. 320636 (1) ]  
 Anchorage Kit R.H. 320637 (1) ] %  
 Anchorage Kit L.H. 320638 (1) ]

Anchorage Kit R.H. 320631 (1) ] @ Anchorage Kit R.H. 320639 (1) ] 109" Station Wagon up to  
 Anchorage Kit L.H. 320632 (1) ] Anchorage Kit L.H. 320640 (1) ] vehicle suffix 'D'

Anchorage Kit R.H. 320633 (1) ] @ and with Truck Cab  
 Anchorage Kit L.H. 320634 (1) ]

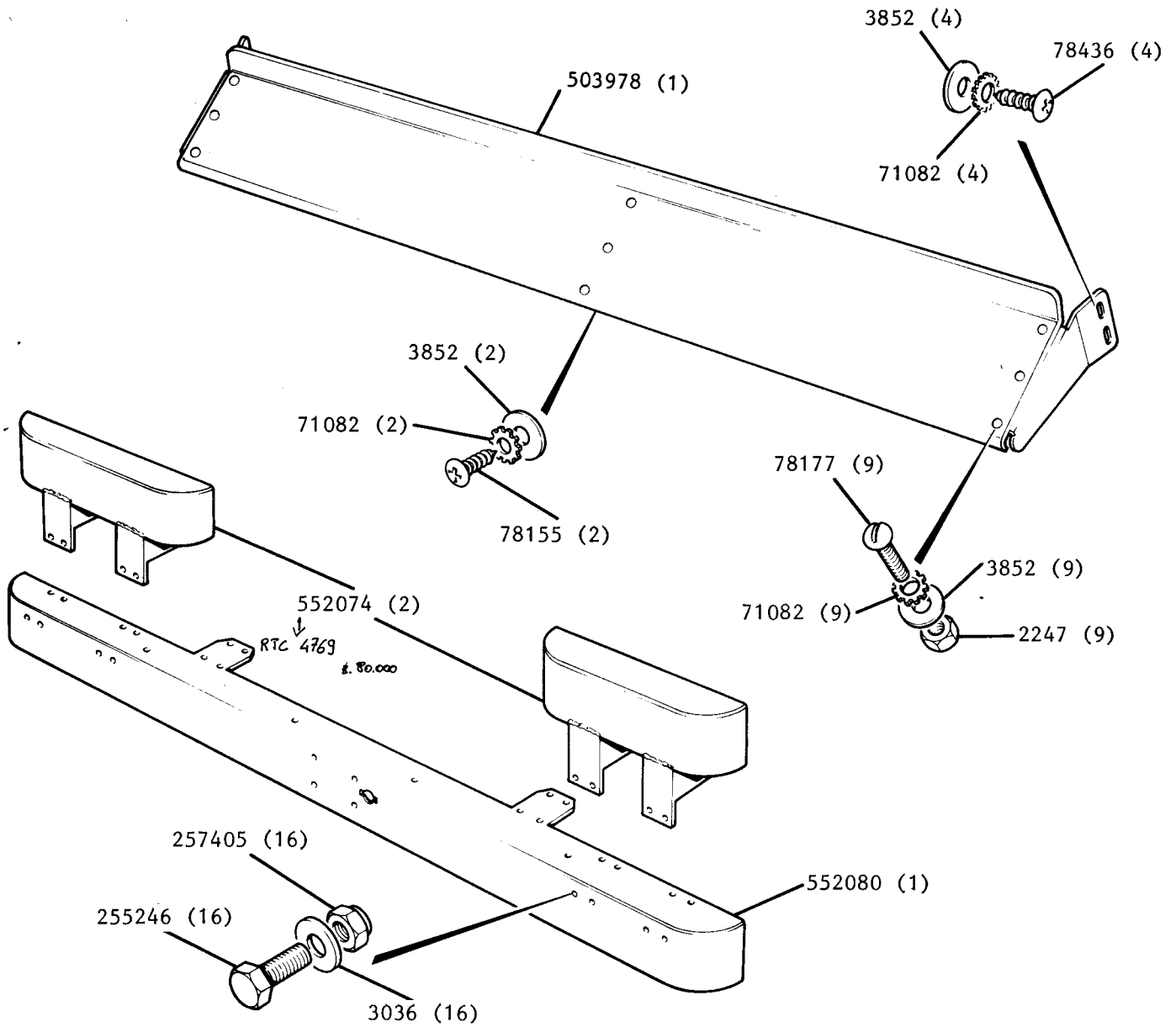
FRONT SAFETY HARNESS ANCHORAGES, PART II SERIES IIA AND III



REMARKS

@ 88" )  
 @@ 109" Except Station Wagon ) Up to July 1972  
 % 109" Station Wagon up to vehicle suffix 'D'

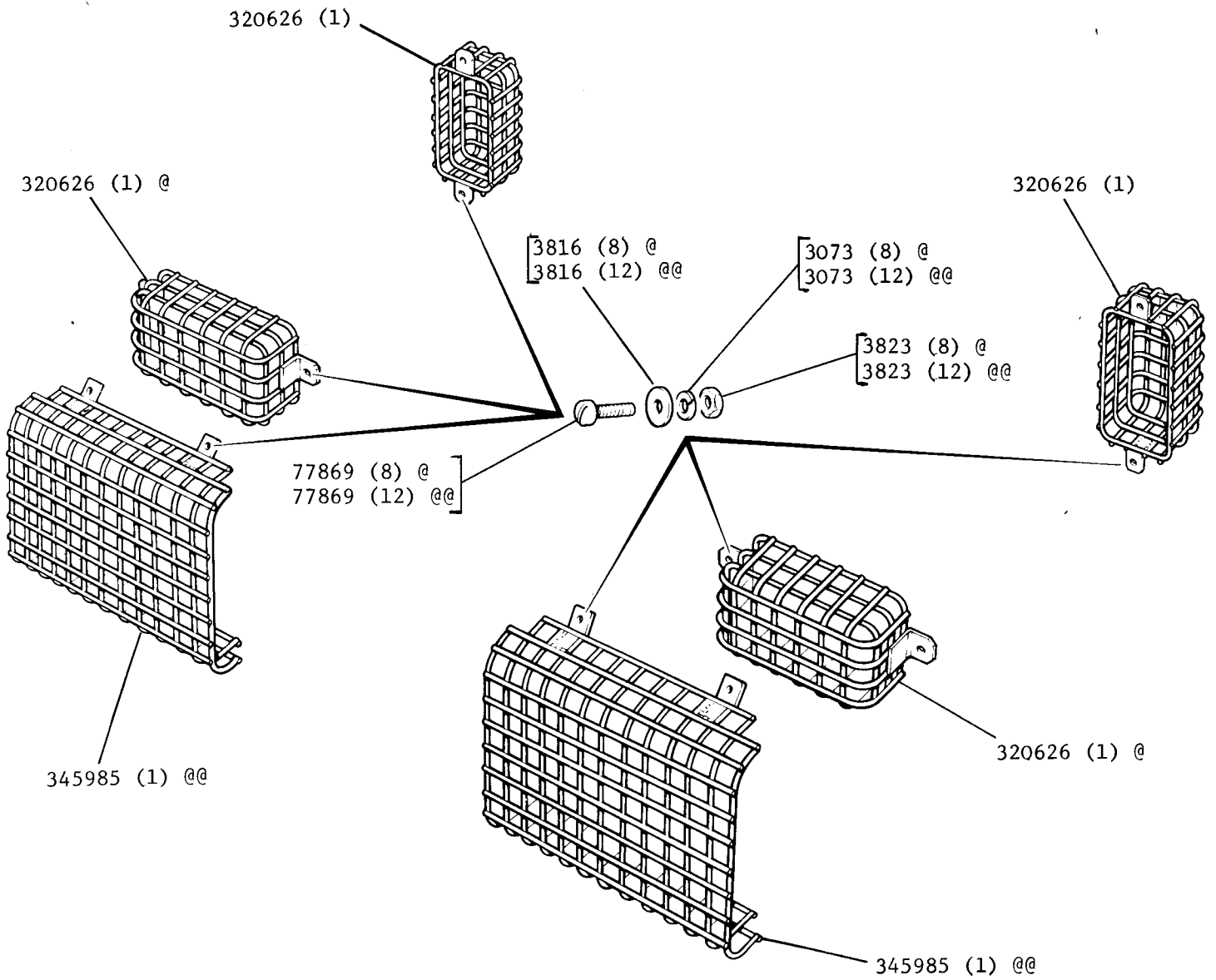
EXTERIOR SUN VISOR AND FRONT BUMPERETTES SERIES IIA AND III



REMARKS

Exterior Sun Visor Kit 503979 (1)

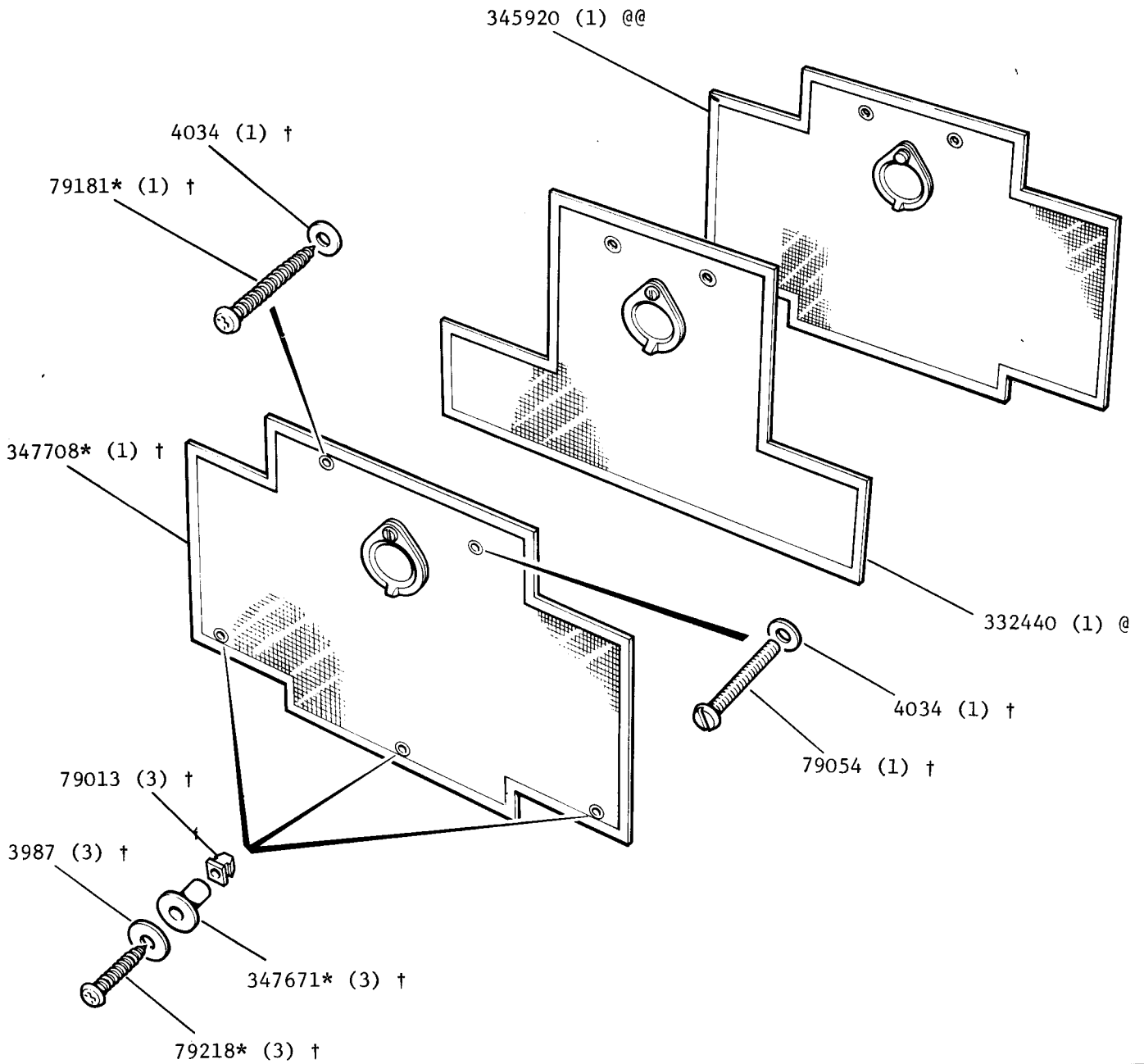
LAMP GUARD, SERIES. IIA AND III.



REMARKS

- @ Series IIA up to vehicle suffix F inclusive
- @@ Series IIA from vehicle suffix G onwards and Series III

CHAFF GUARD, SERIES IIA AND III.

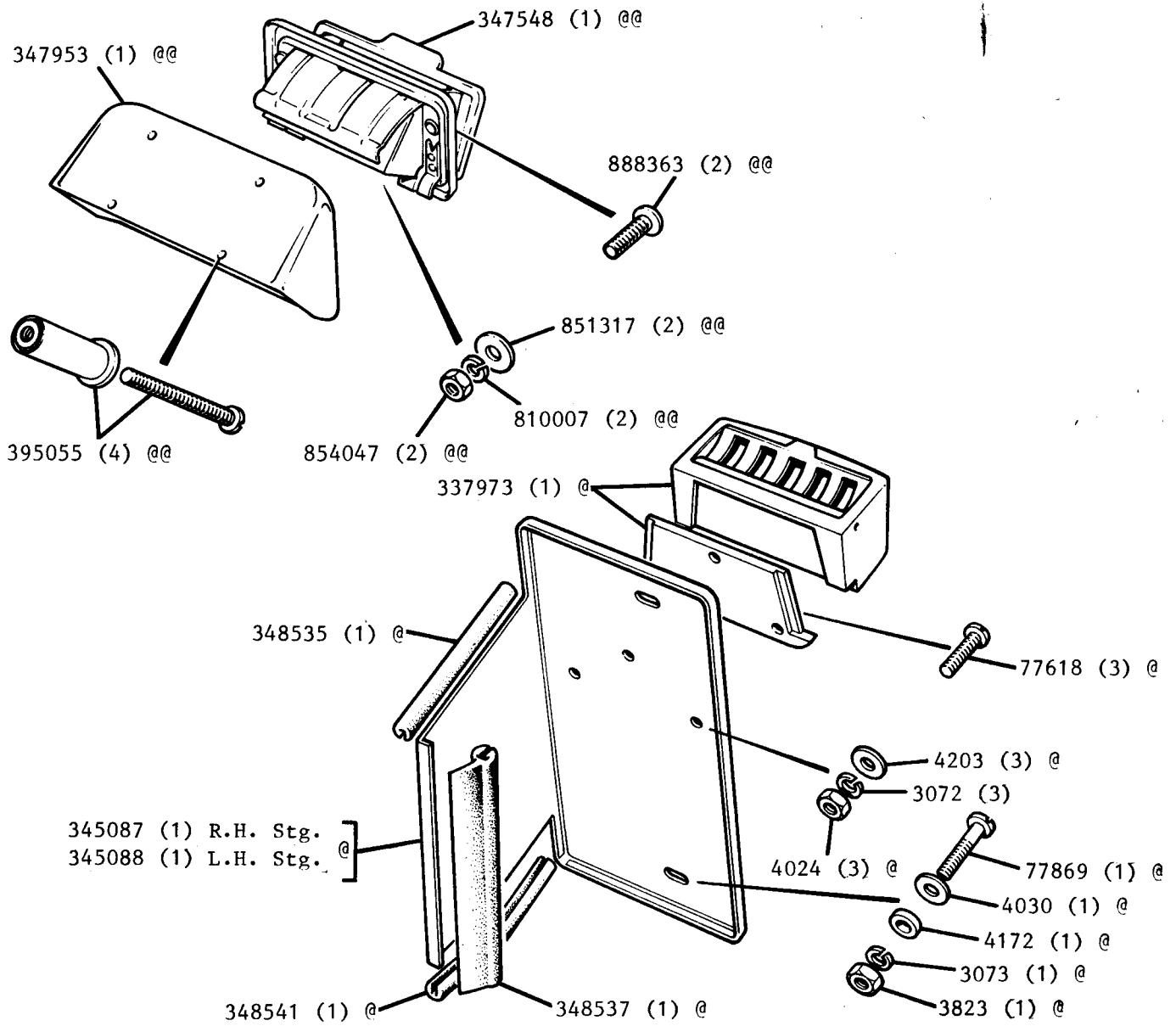


REMARKS

- @ Series IIA up to vehicle suffix F inclusive
- @@ Series IIA from vehicle suffix G onwards
- † Series III



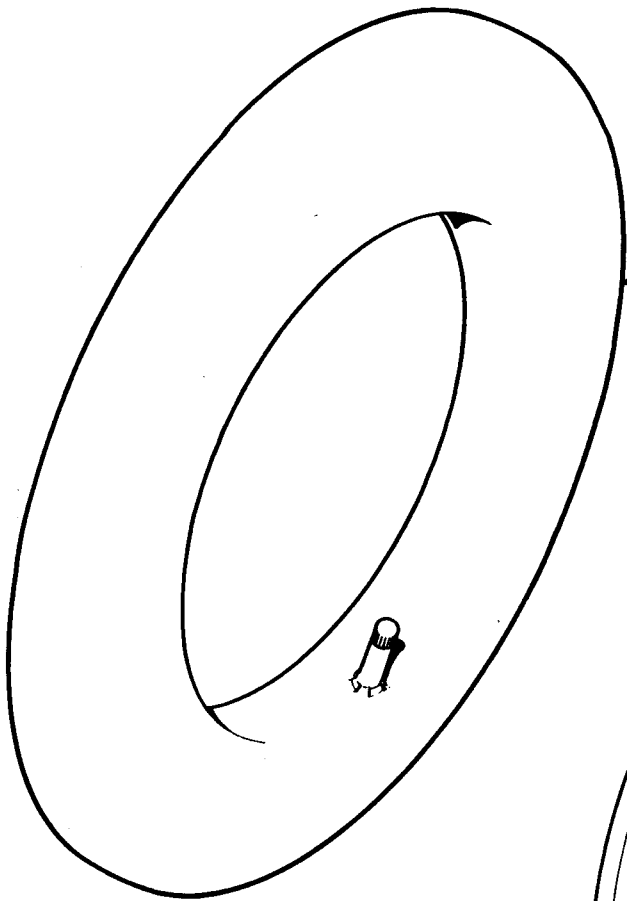
ASHTRAY SERIES IIA AND III



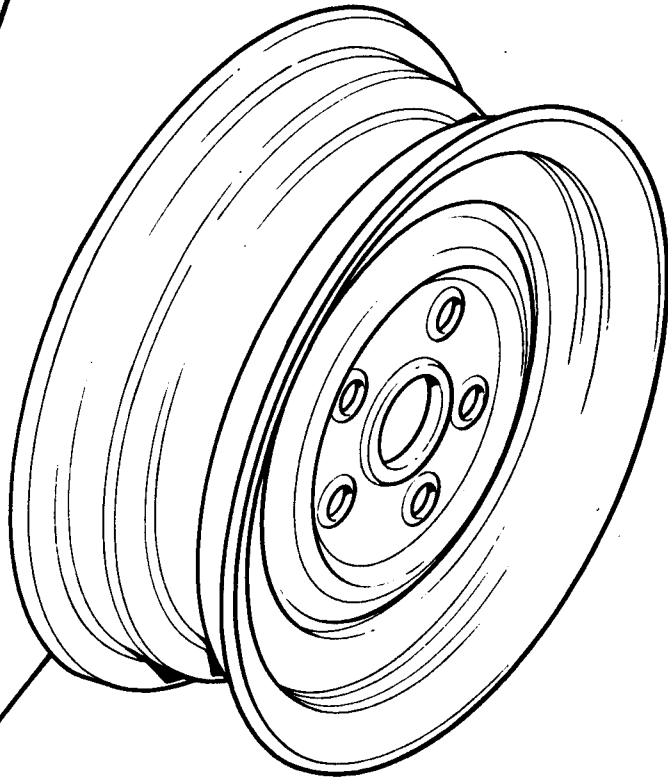
REMARKS

Ashtray Kit 320641 (1) @  
 Ashtray Kit 320831 (1) @@  
 @ Series IIA  
 @@ Series III

WHEELS AND INNER TUBES SERIES IIA AND III



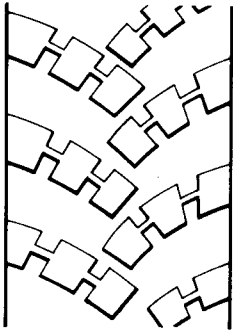
- 232122 (5) 600 x 16 (For tyre 232121)
- 232560 (5) 650 x 16 (For tyre 232559 and 542865)
- 233042 (5) 700 x 16 (For tyre 242861 and 248806)
- 270324 (5) 750 x 16 (For tyre 278434 and 545547)
- 511879 (5) 750 x 16 (For tyre 511878)
- 552232 (5) 750 x 16 (For tyre 552231)
- 526506 (5) 900 x 16 (For tyre 545822)
- 264644 (5) 820 x 15 (For tyre 264643)
- 542864 (5) 900 x 15 (For tyre 542863)



- 526753 (5) All models fitted with 820/900 x 15 Sand tyres
- 272309 (5) 88 in. models fitted with 750 x 16 tyres

REMARKS

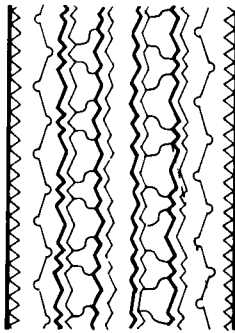
TYRES SERIES IIA AND III



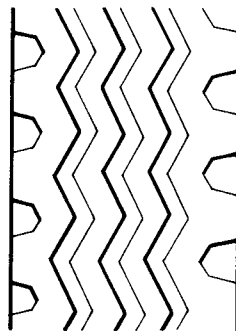
DUNLOP T29A  
232559 (5)  
650 x 16

DUNLOP T29A  
242861 (5)  
700 x 16

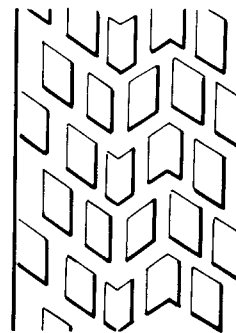
DUNLOP T29A  
270323 (5)  
750 x 16



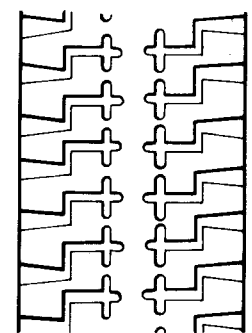
DUNLOP  
"GOLD SEAL"  
502526 (5)  
750 x 16



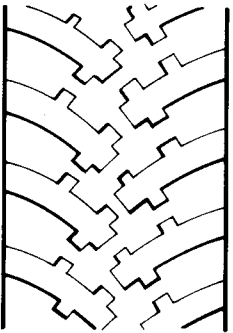
MICHELIN "XY"  
511878 (5)  
750 x 16



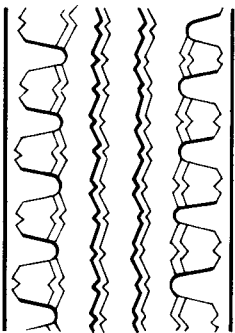
MICHELIN "X"  
SAHARA TYRE  
552231 (5)  
750 x 16



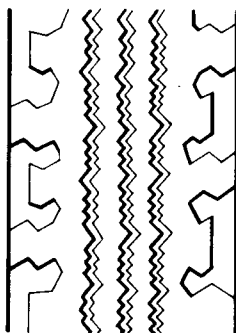
DUNLOP BLOCK TREAD  
542863 (5)  
900 x 15



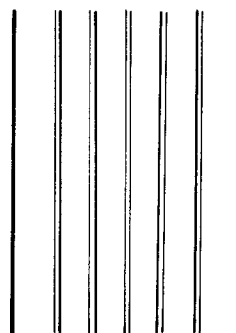
DUNLOP T28  
232121 (5)  
600 x 16



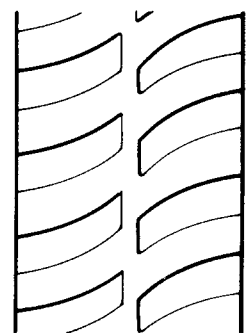
MICHELIN "XS"  
AVON T.M  
DUNLOP R.K.3  
278434 (5)  
750 x 16  
AVON 8 P.R.  
"RANGER"  
545547 (5)  
750x 16



DUNLOP R.K.3  
542865 (5)  
650 x 16  
DUNLOP R.K.3  
AVON T.M  
248806 (5)  
700 x 16



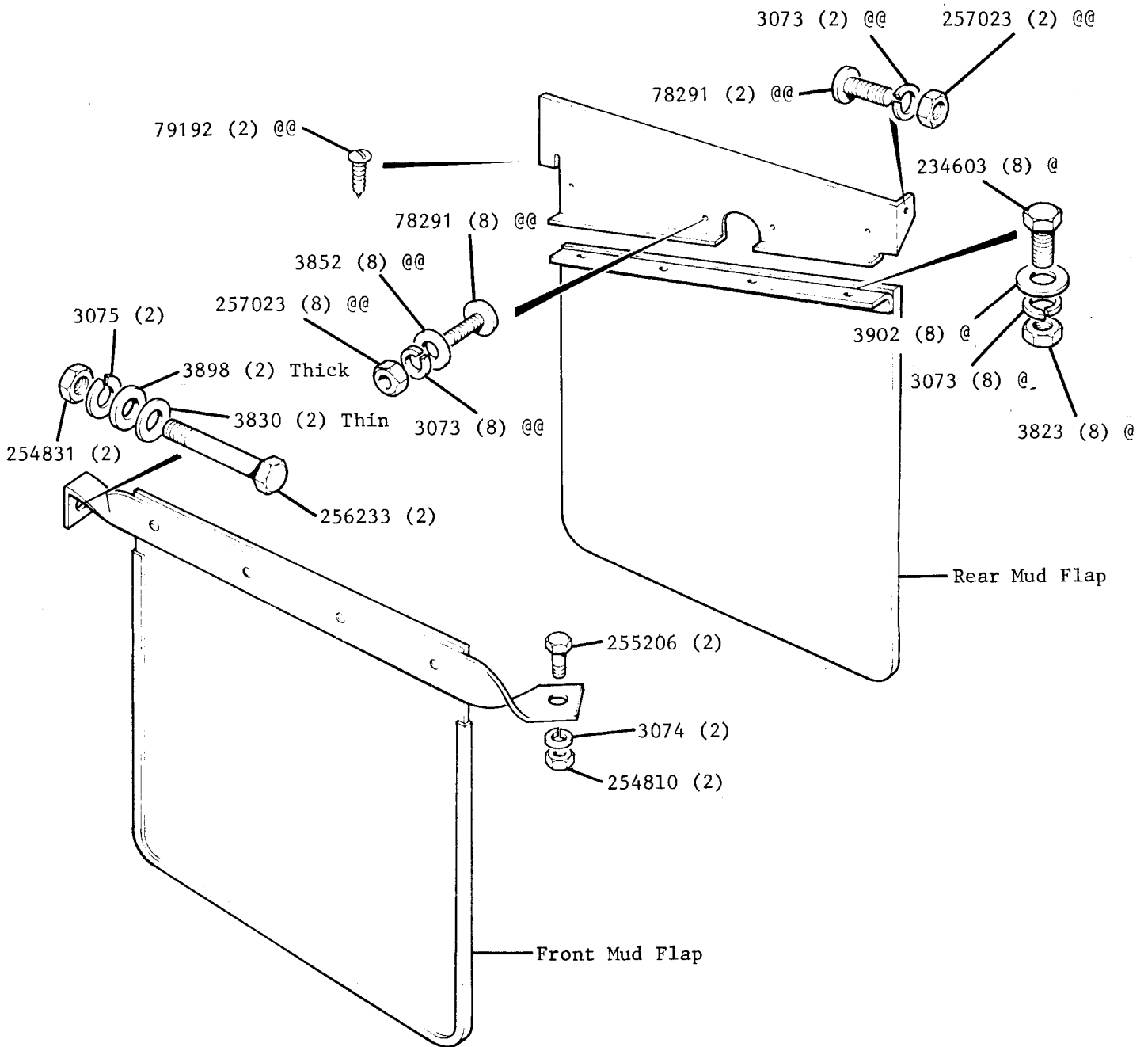
DUNLOP SAND TYRE  
264643 (5)  
820 x 15



DUNLOP T.24  
545822 (5)  
900 x 16

REMARKS

MUD FLAPS, SERIES IIA AND III



REMARKS

Front Mud Flap Kit 320601 (1)

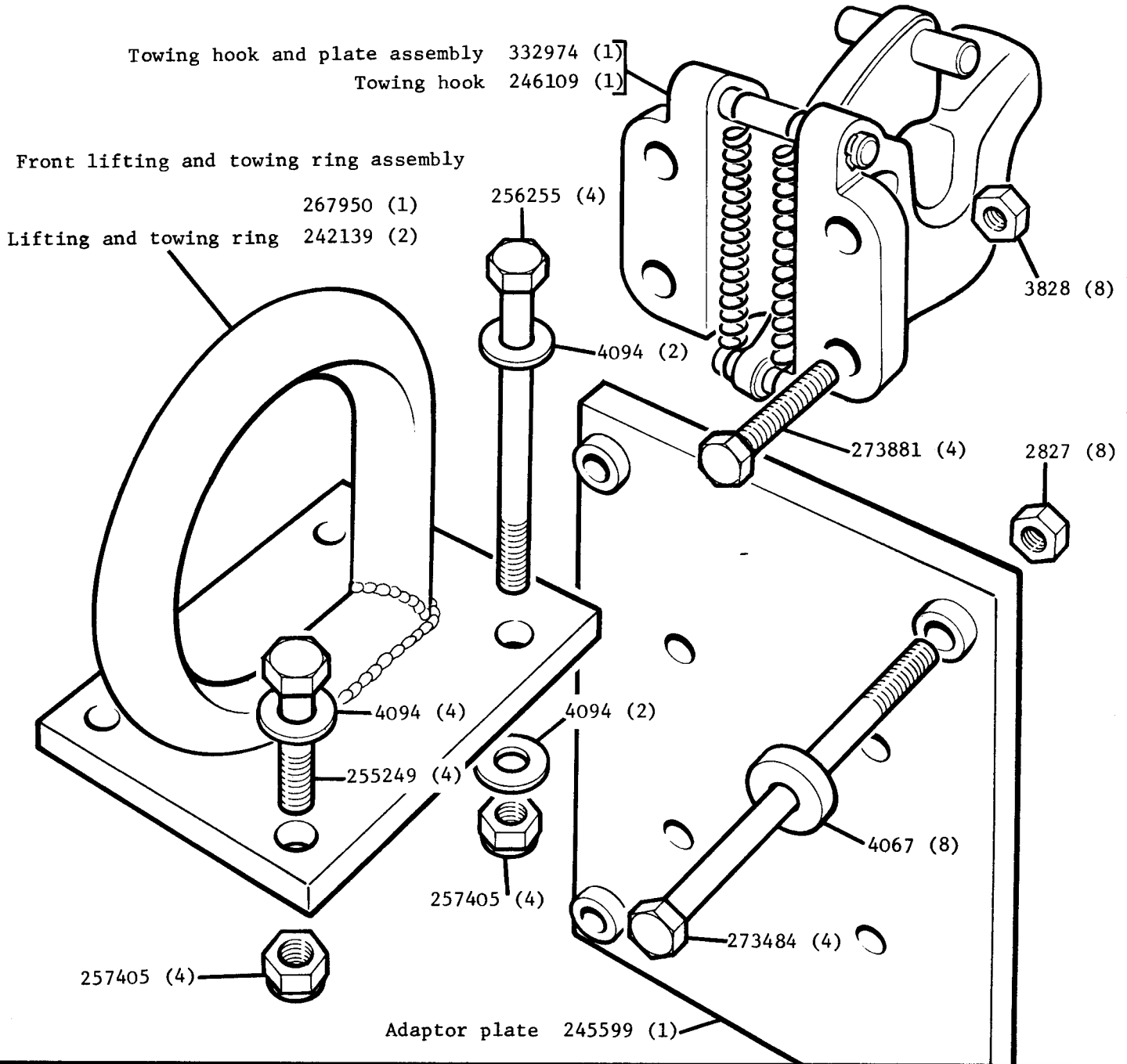
Rear Mud Flap Kit 320590 (1) @

Rear Mud Flap Kit 607944 (1) @@

@ Series IIA 88" and 109", Series III 88"

@@ Series III 109"

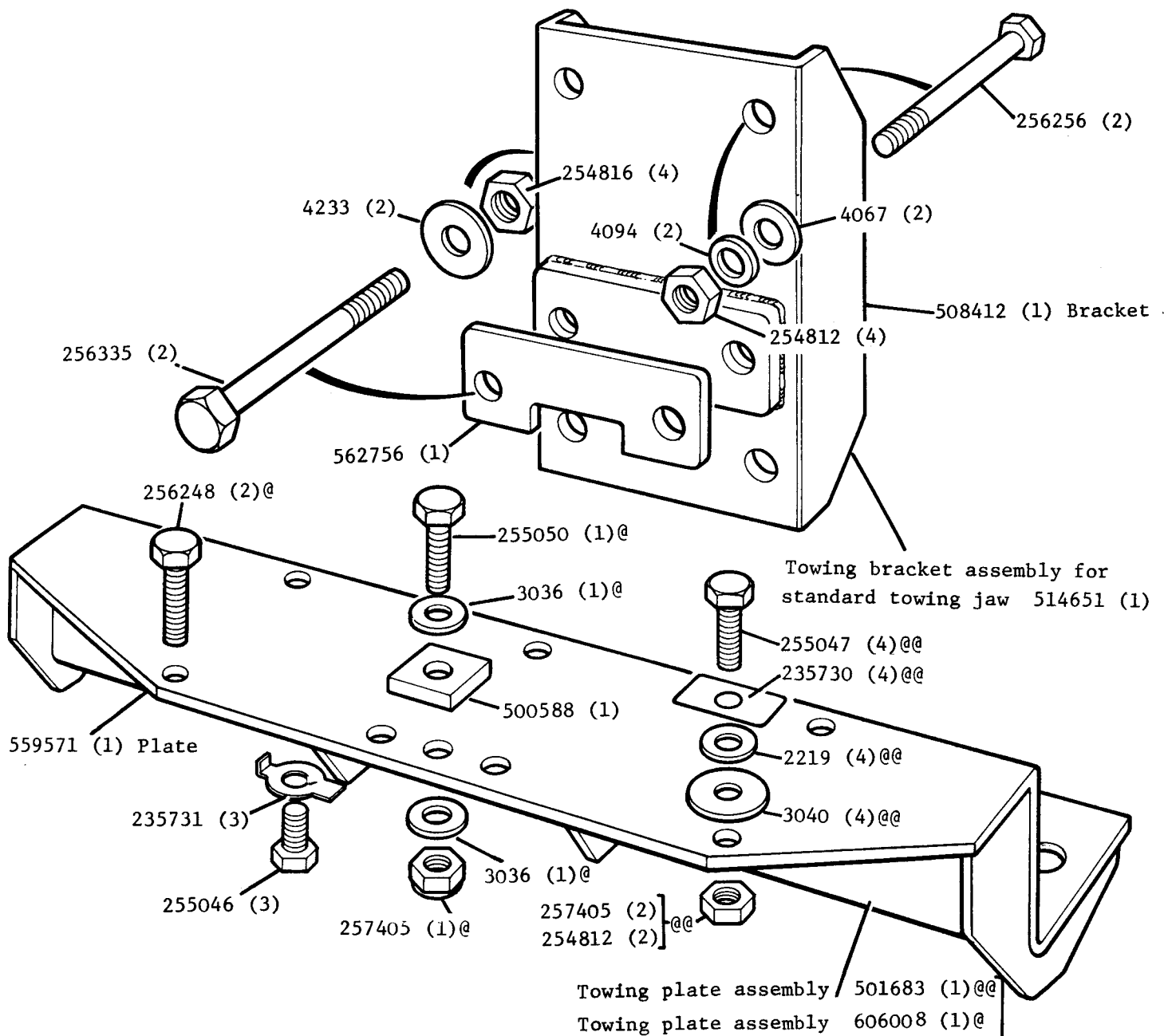
FRONT LIFTING AND TOWING RING ASSEMBLY AND TOWING HOOK SERIES 11A AND 111



REMARKS

Towing hook not applicable to 109in Station Wagon and cannot be used in conjunction with rear power take-off

TOWING BRACKET ASSEMBLY AND REAR TOWING PLATE SERIES 11A AND 111



REMARKS

@ 109in long 2.6

@@ 109in long 2¼ and 88in

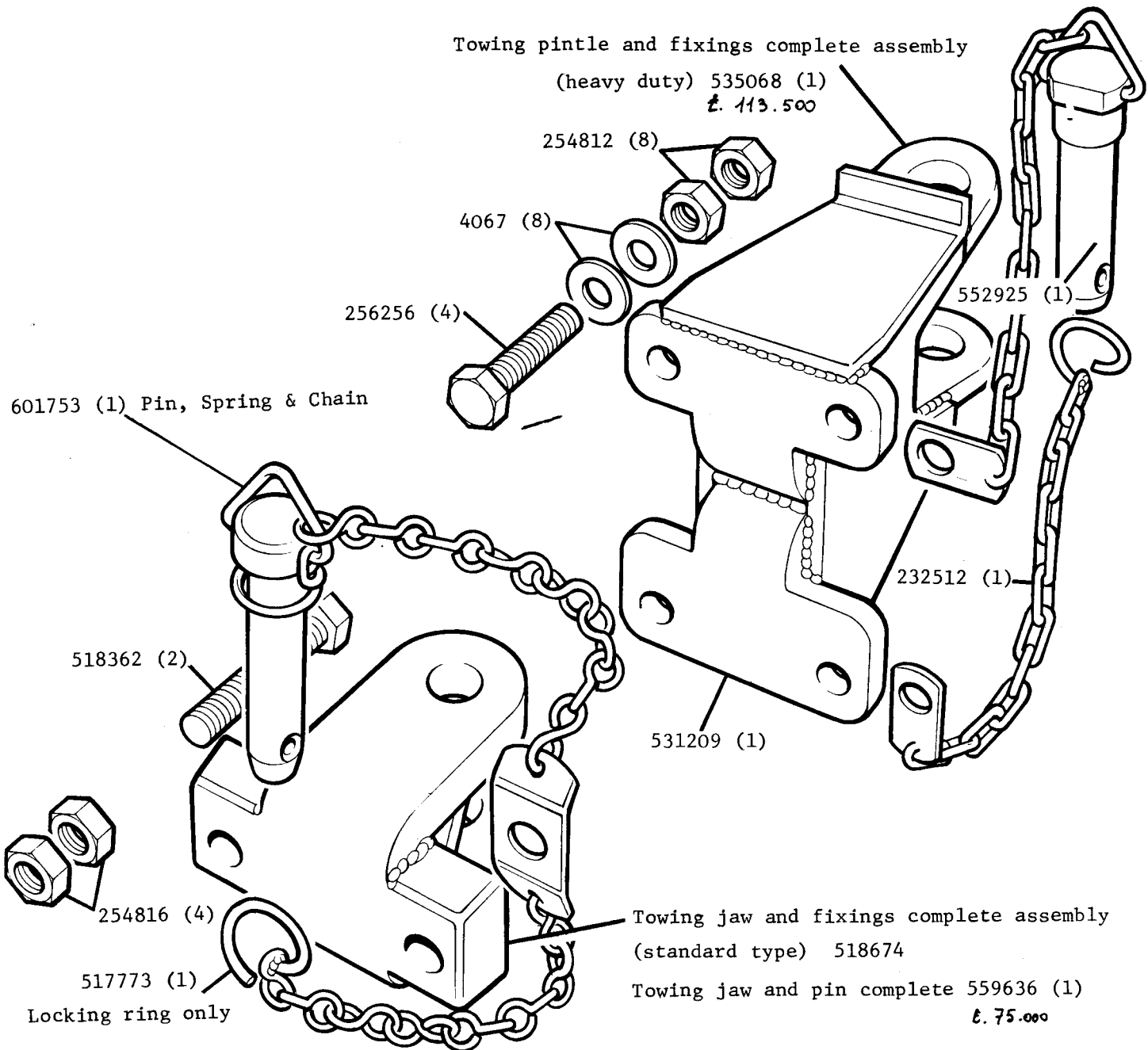
Towing bracket assembly, fitted as standard to all export models except Swiss vehicles and all home vehicles in conjunction with a trailer

Cannot be used in conjunction with rear towing plates 501683 and 606008

Rear towing plate must be used in conjunction with rear power take-off.

Cannot be used in conjunction with a rear step

TOWING JAW (STANDARD) AND TOWING. PINTLE (HEAVY DUTY) SERIES 11A AND 111



REMARKS

Towing jaw 518674 fitted as standard to all export models except Swiss Vehicles  
Towing jaw and pintle cannot be used in conjunction with rear power take-off